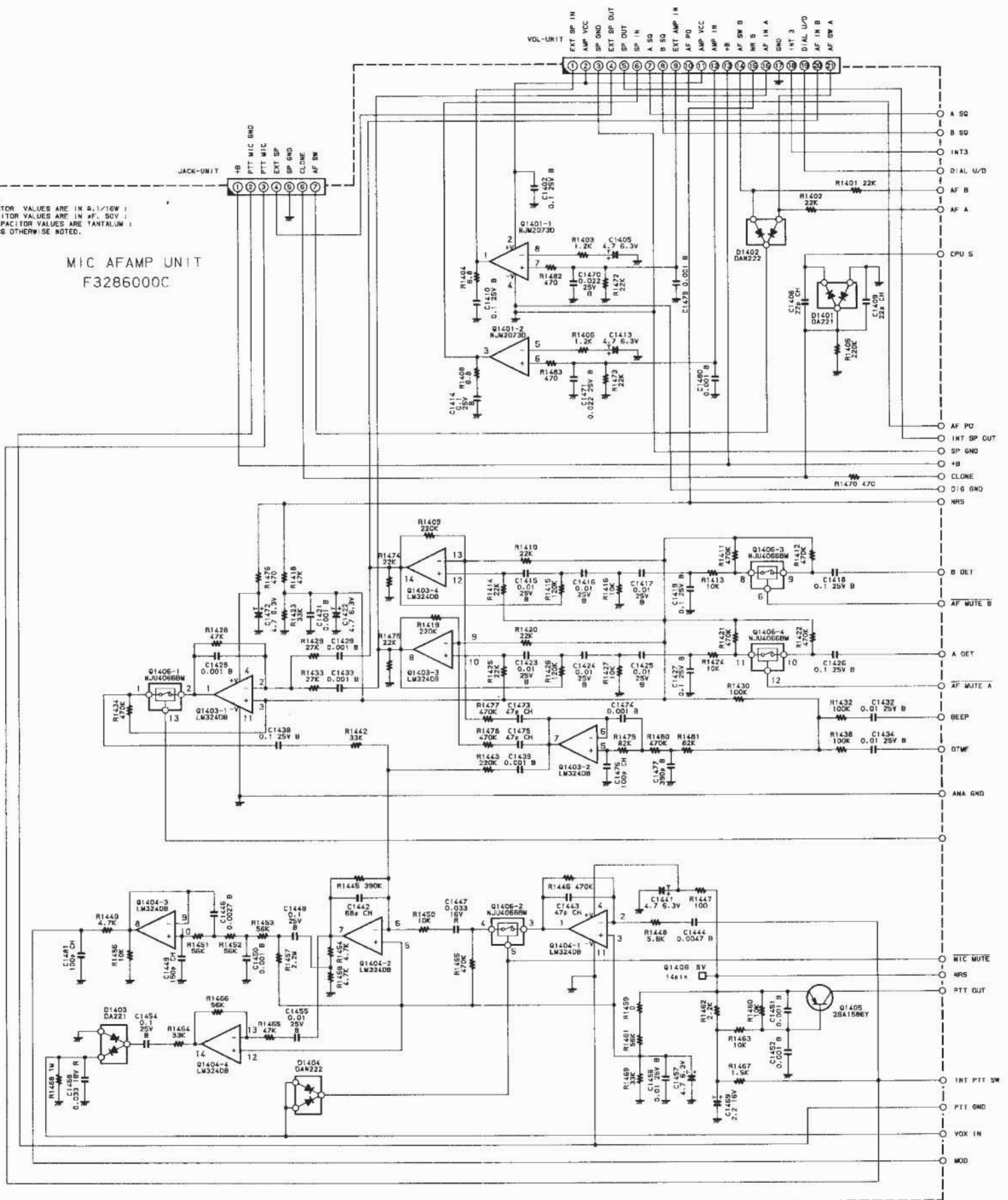
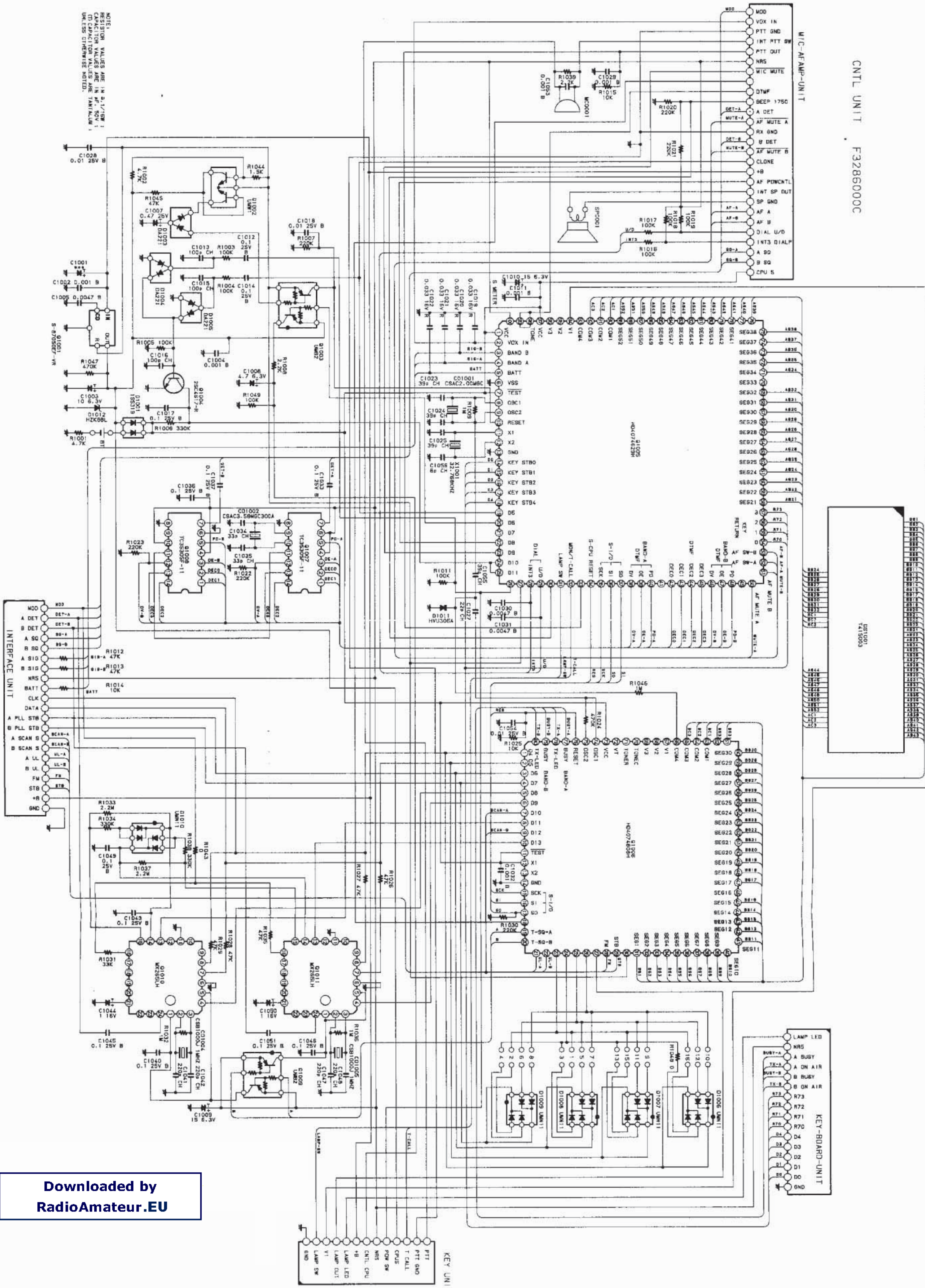


NOTE:
RESISTOR VALUES ARE IN Ω , 1/16W ;
CAPACITOR VALUES ARE IN μ F, 50V ;
(T) CAPACITOR VALUES ARE TANTALUM ;
UNLESS OTHERWISE NOTED.

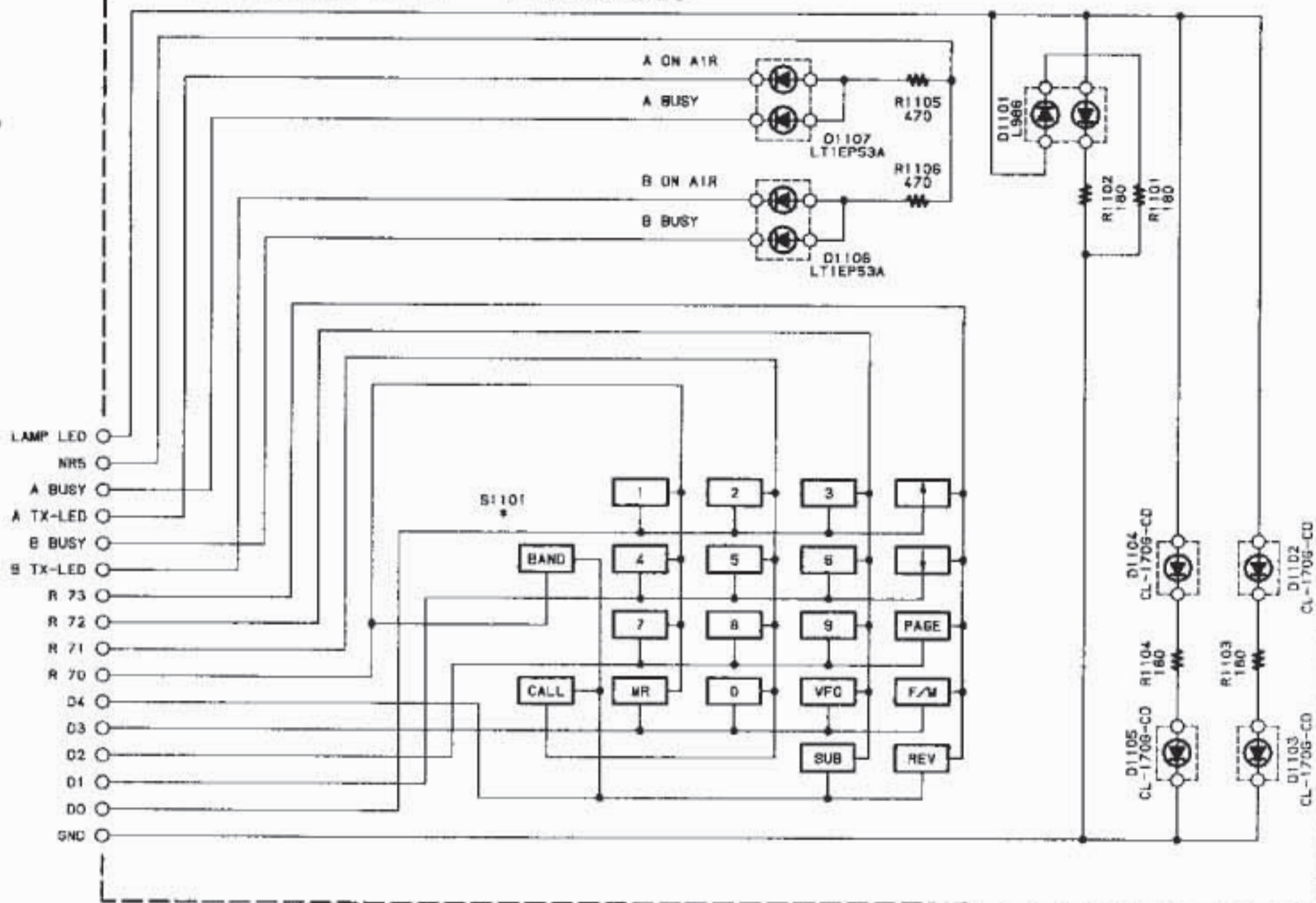
MIC AFAMP UNIT
F3286000C



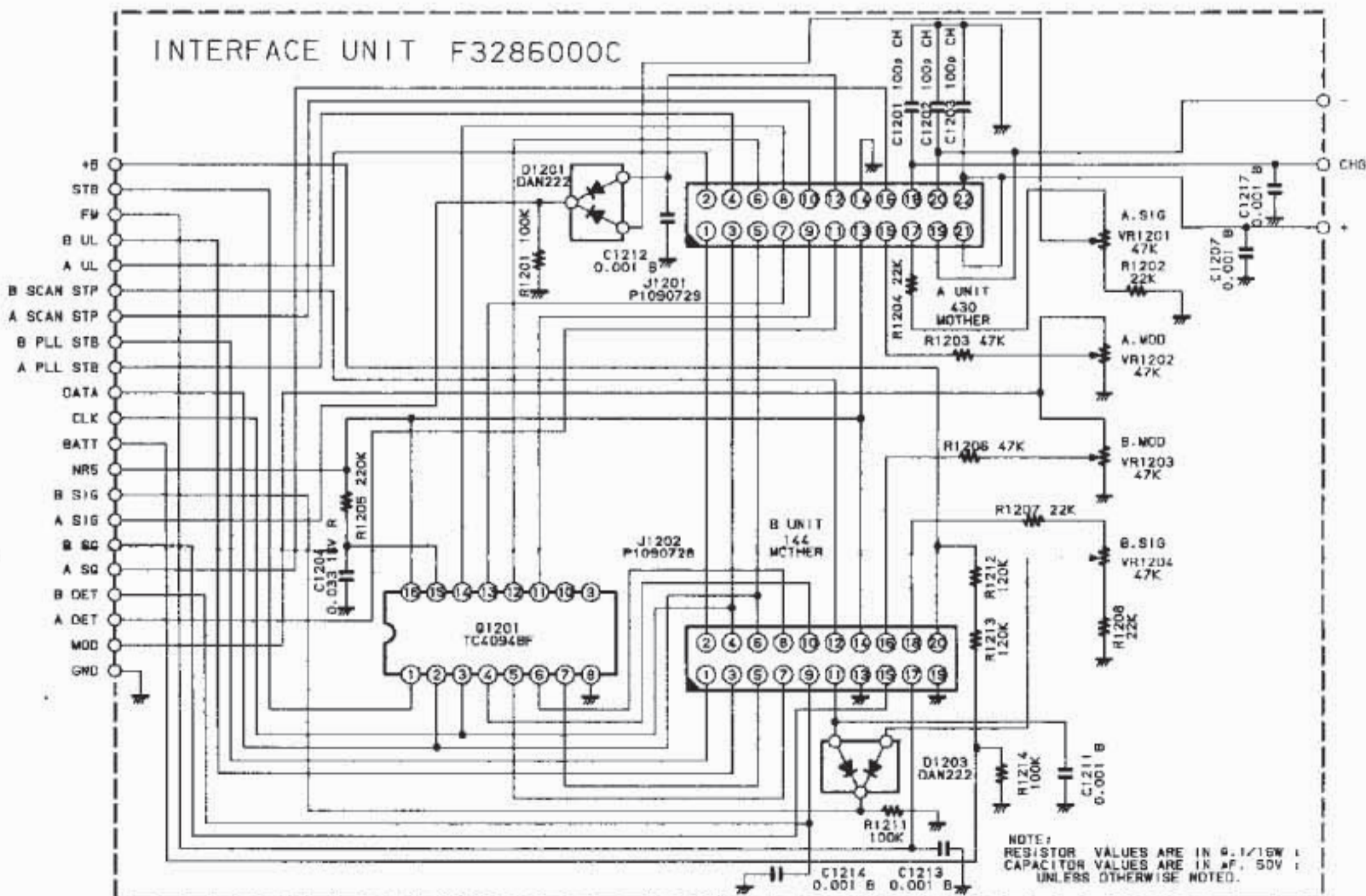
NOTES:
1. RESISTOR VALUES ARE IN OHMS UNLESS OTHERWISE NOTED.
2. CAPACITOR VALUES ARE IN P.F./100V UNLESS OTHERWISE NOTED.

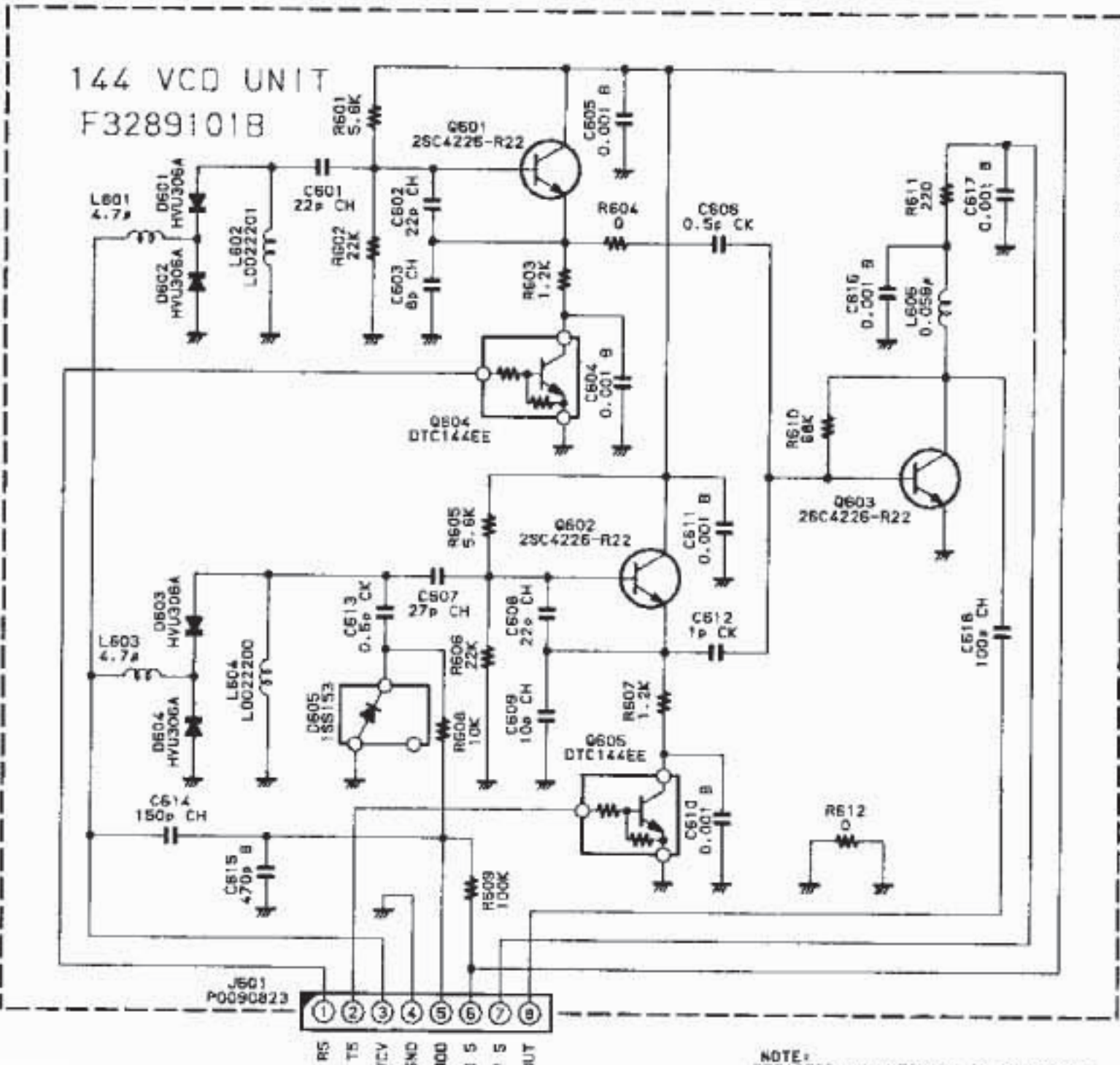


KEYBOARD UNIT F3286000C

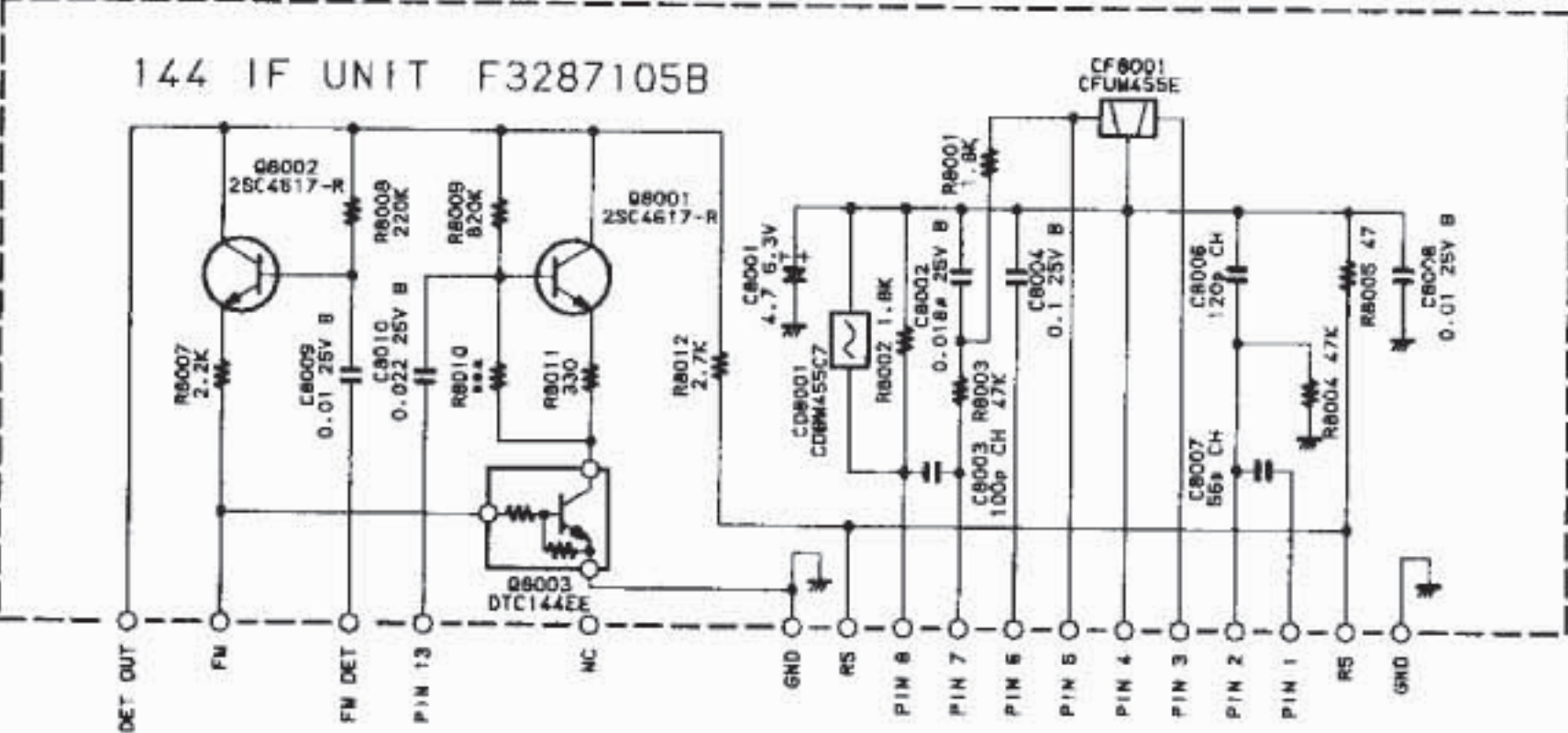
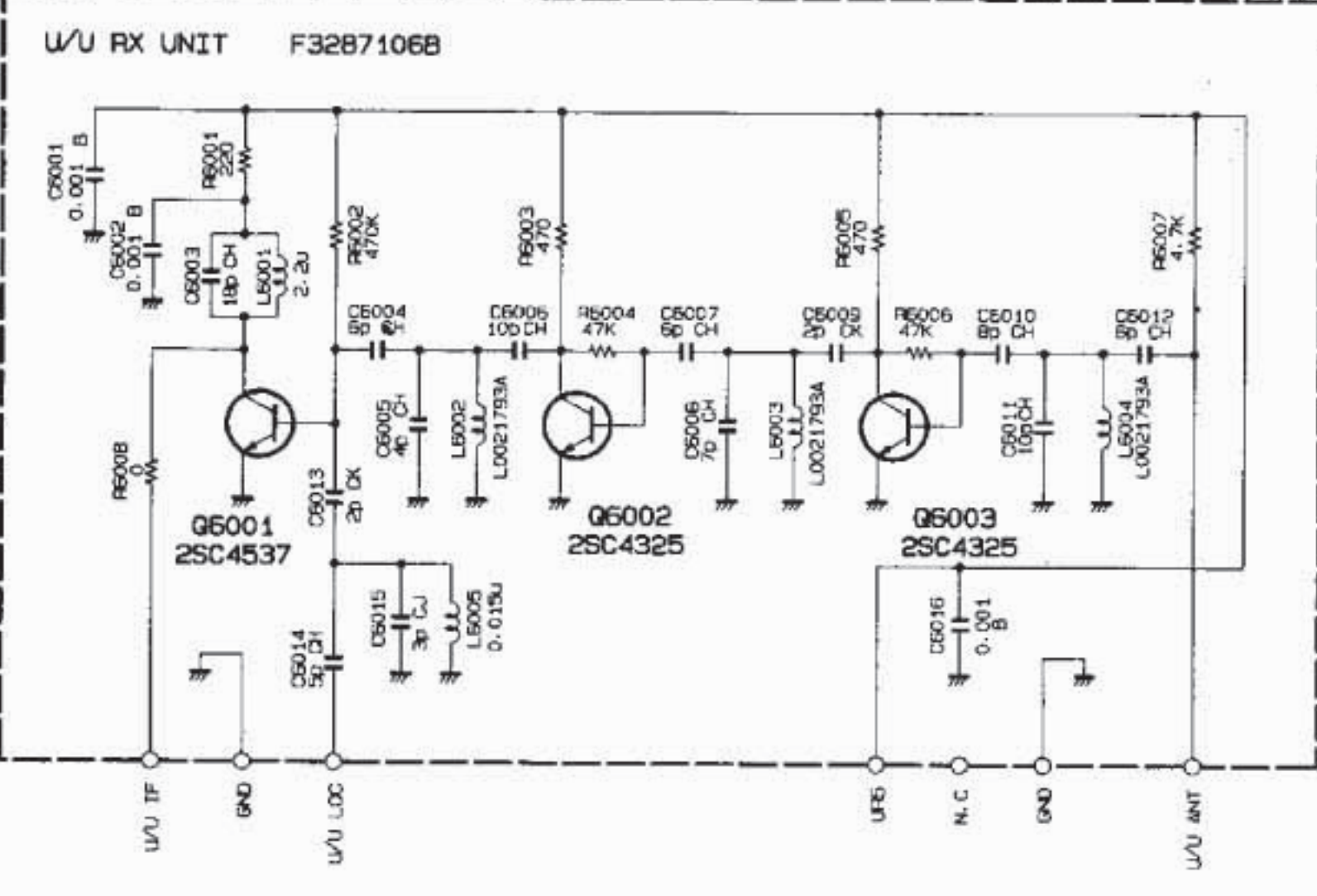
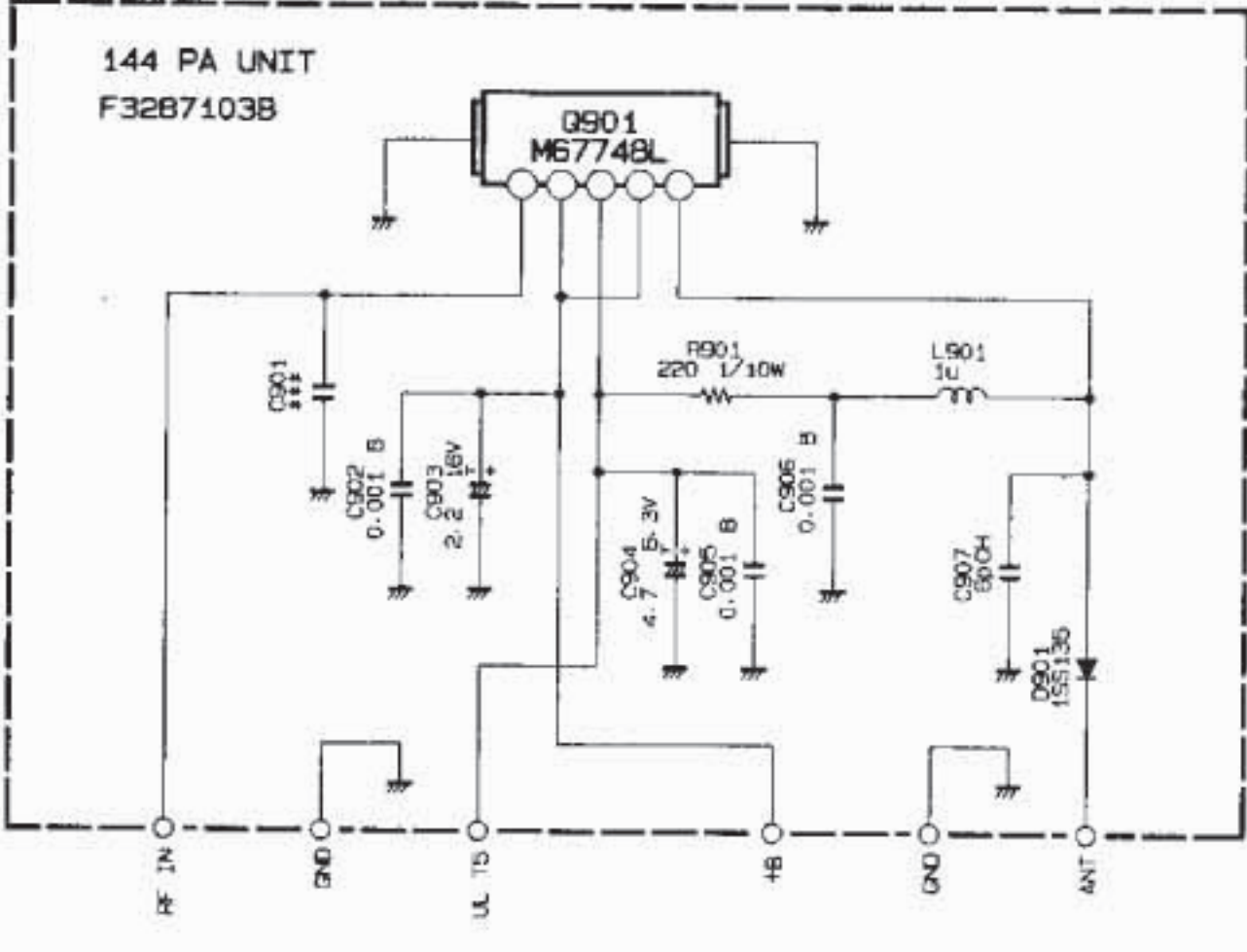


INTERFACE UNIT F3286000C

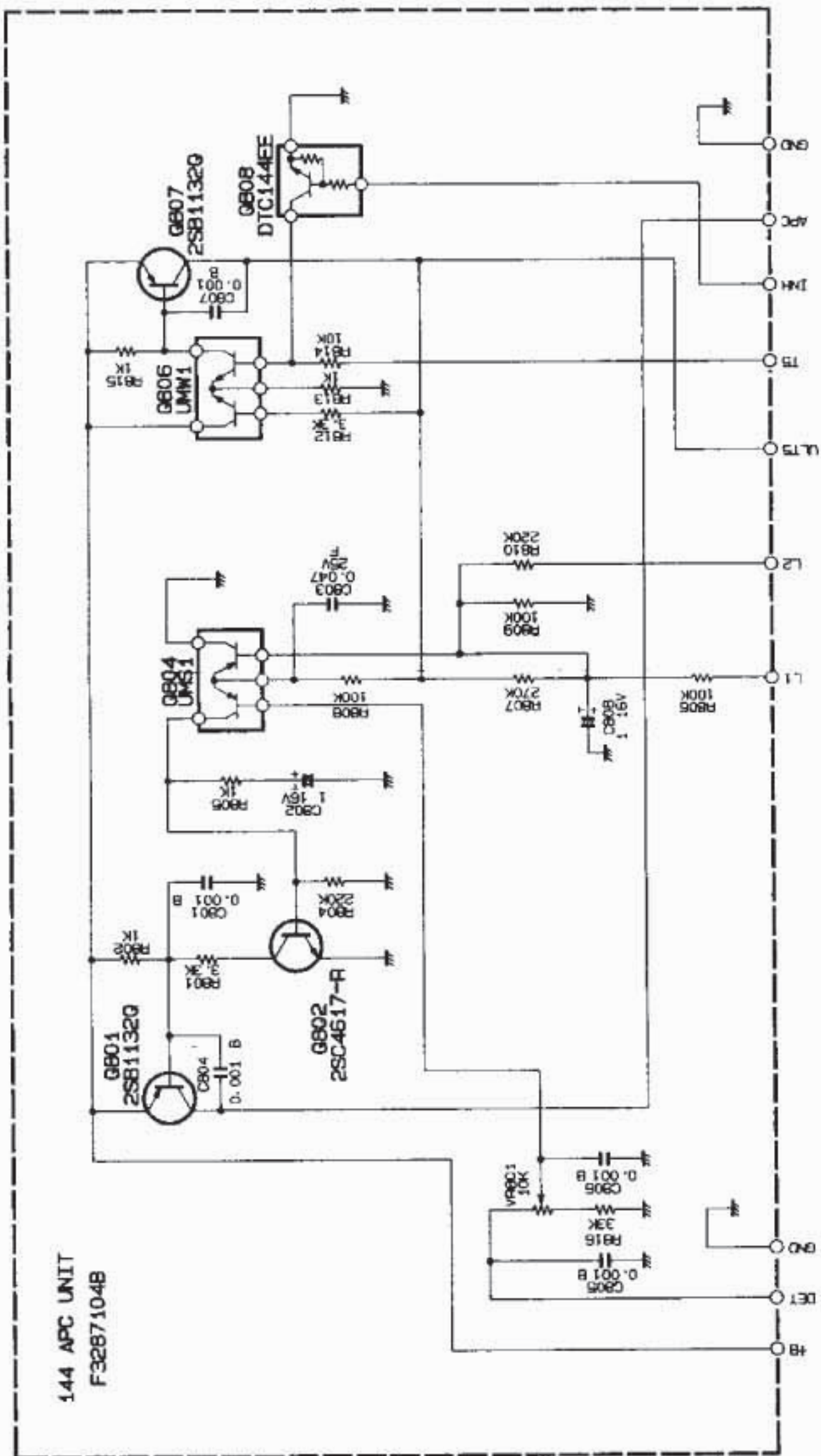




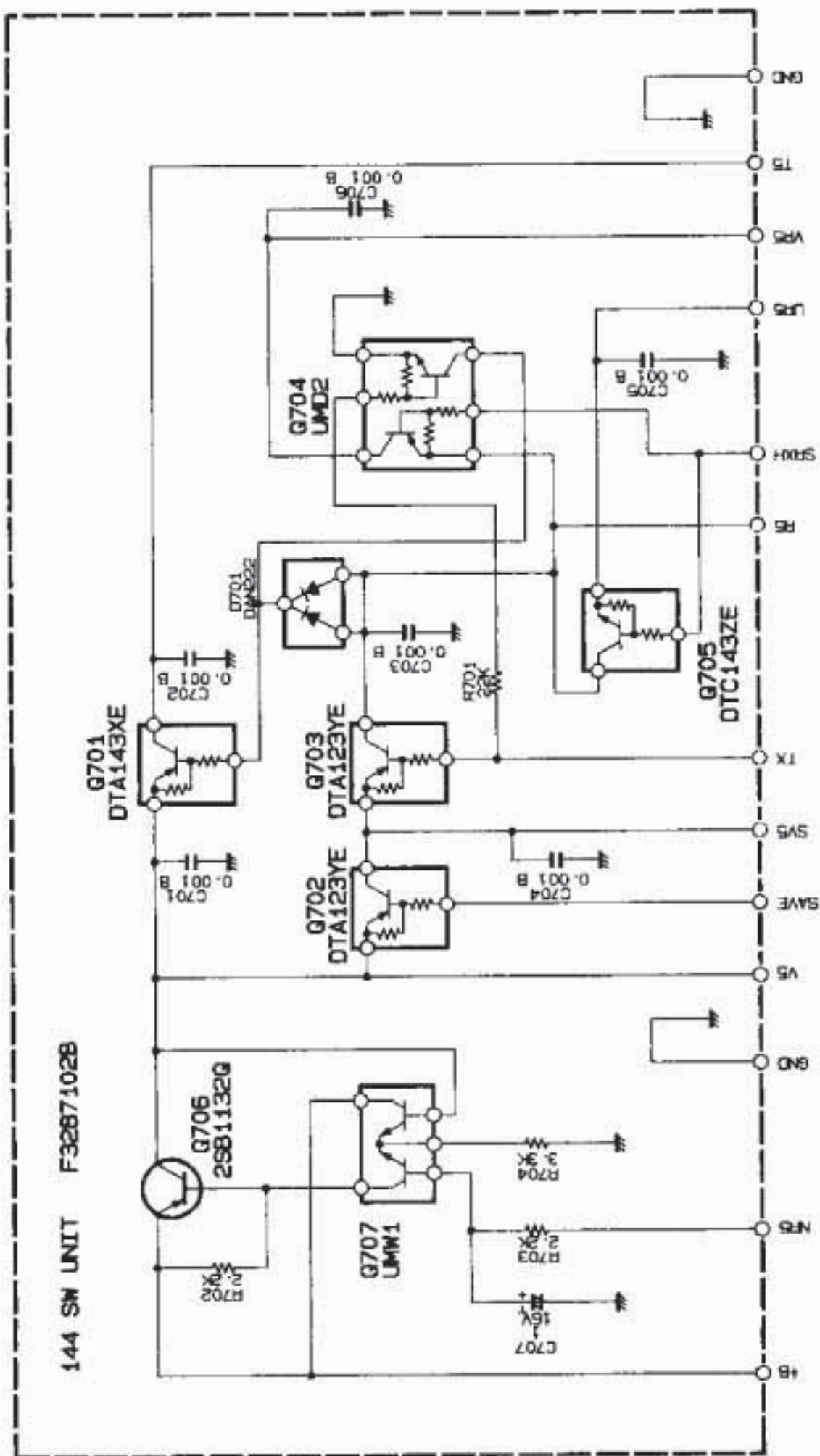
NOTE:
RESISTOR VALUES ARE IN Ω, 1/16W ;
CAPACITOR VALUES ARE IN μF, 50V ;
(T) CAPACITOR VALUES ARE TANTALUM ;
INDUCTOR VALUES ARE IN H
UNLESS OTHERWISE NOTED.

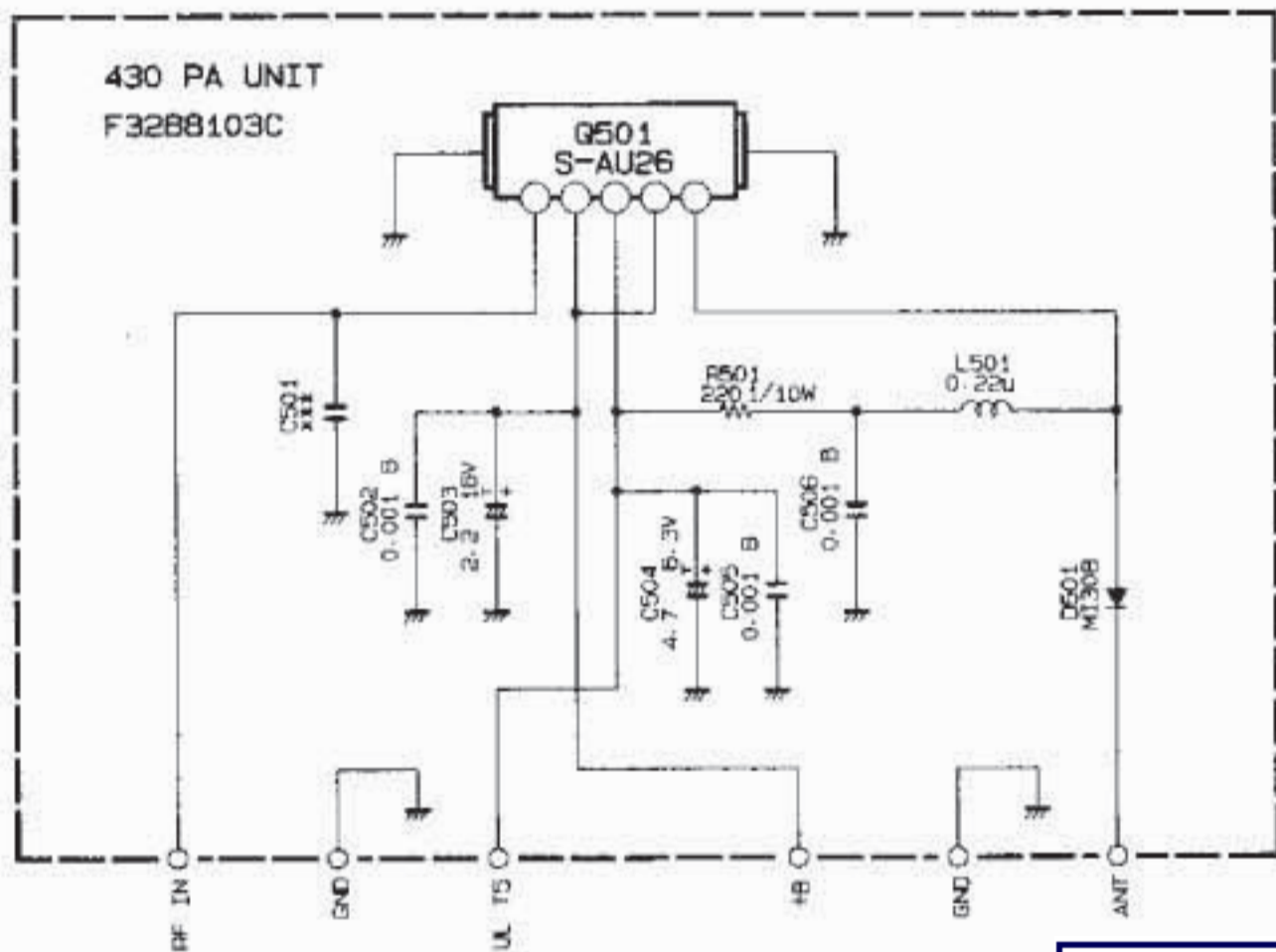
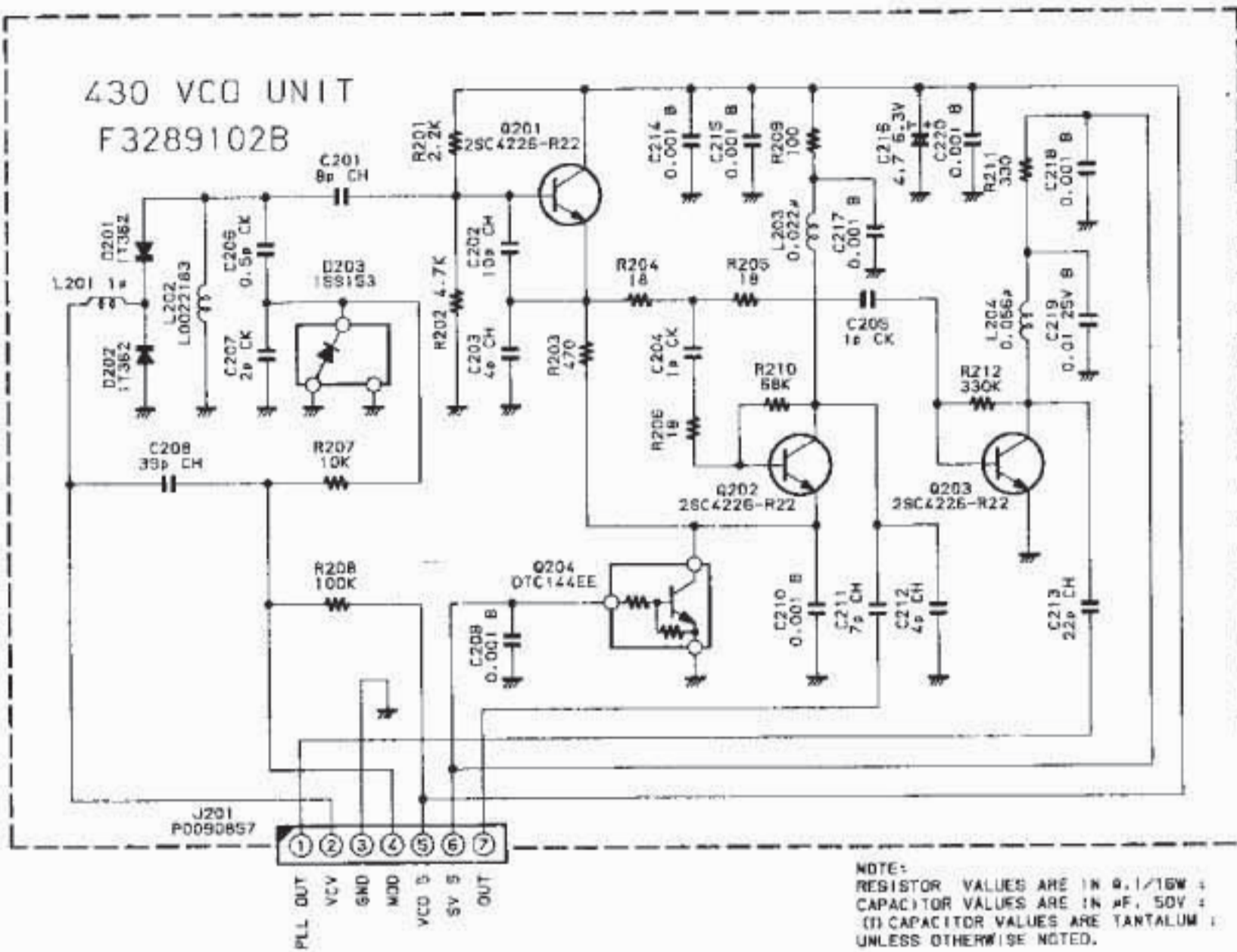


NOTE:
RESISTOR VALUES ARE IN Ω, 1/16W ;
CAPACITOR VALUES ARE IN μF, 50V ;
(T) CAPACITOR VALUES ARE TANTALUM ;
UNLESS OTHERWISE NOTED.



**Downloaded by
RadioAmateur.EU**





**Downloaded by
RadioAmateur.EU**

