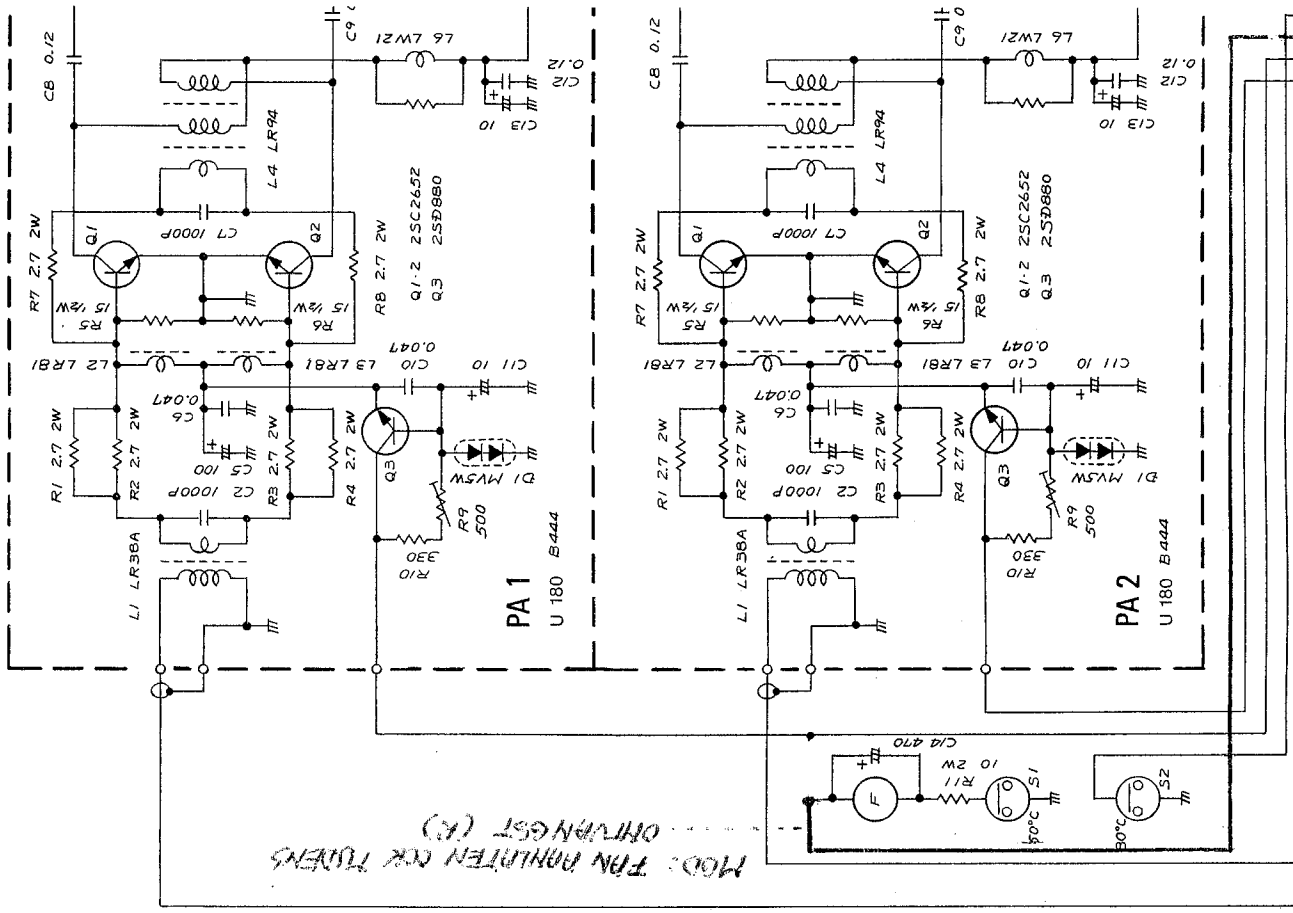
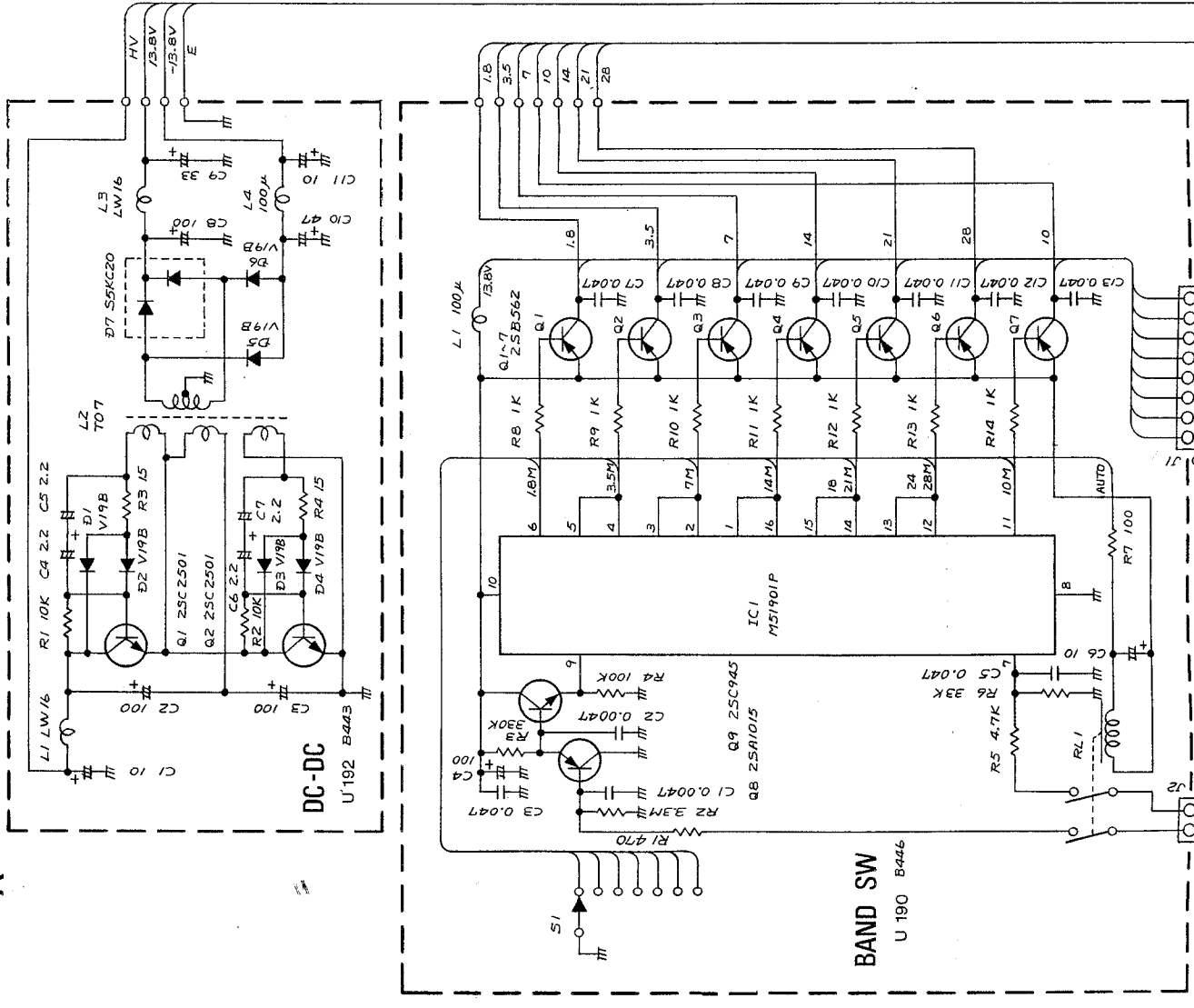
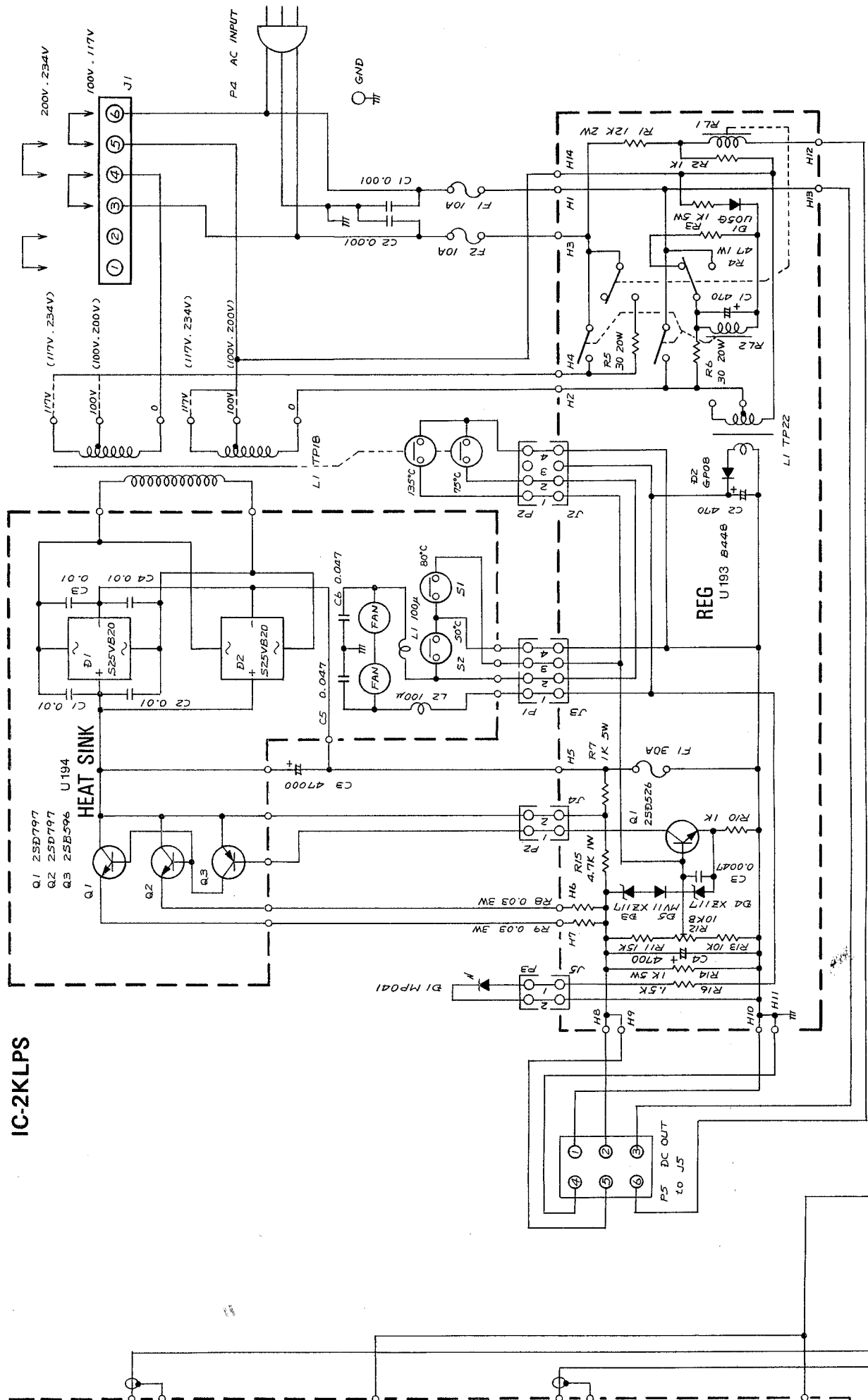


IC-2KL SCHEMATIC DIAGRAM

A



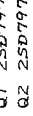
IC-2KLPS



HEAT SINK

- Q1 2SD797
- Q2 2SD797
- Q3 2SB596

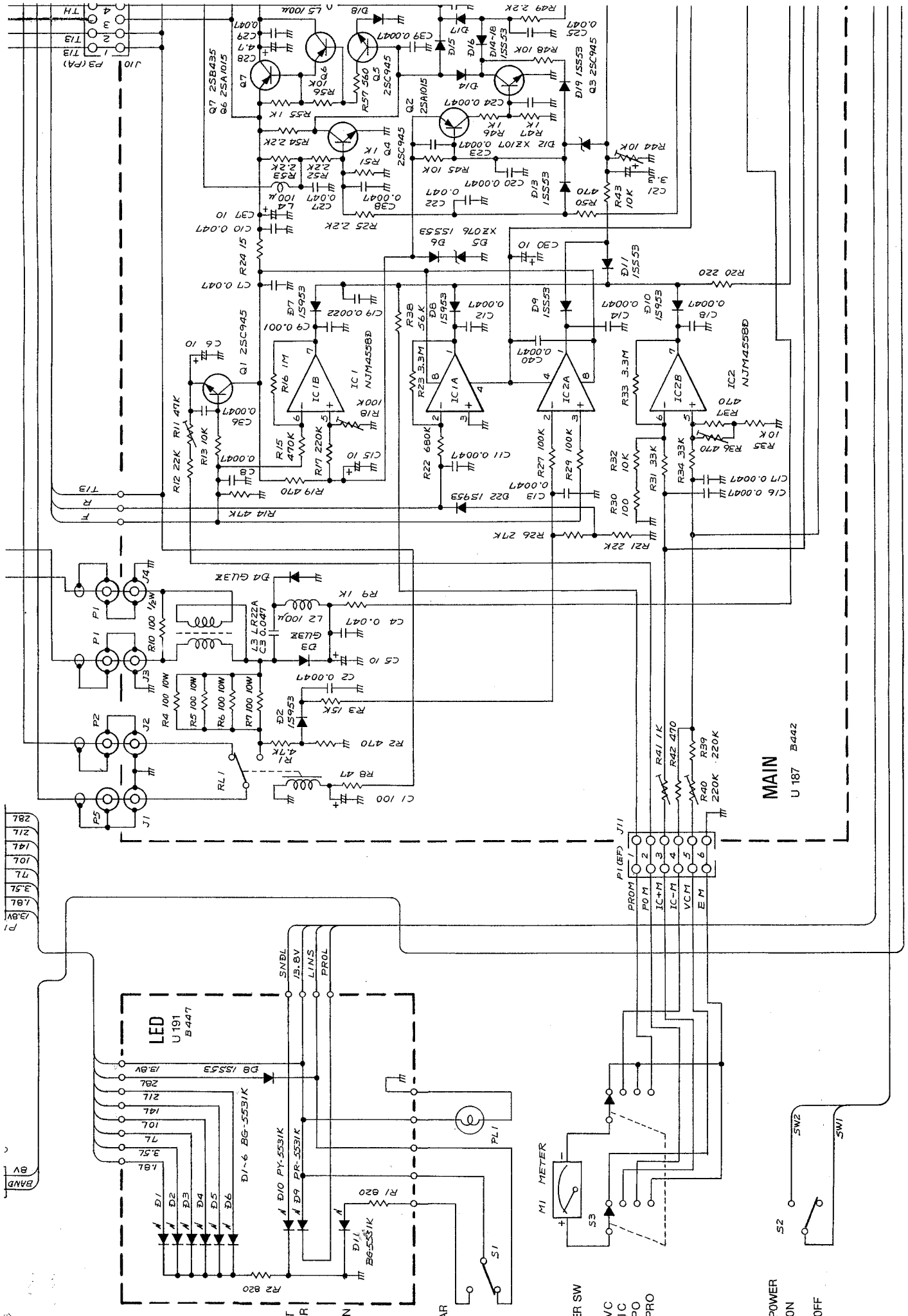
U194



REG

U193 B448



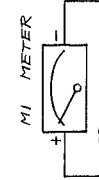


MAIN
U 187 B442

- 297
- 217
- 147
- 107
- 77
- 3.57
- 1.87
- 1.38V

BAND

LED
U191
B447



POWER
ON
OFF

ER SW

VC

IC

PO

PRO

SW1

SW2

PL1

M1 METER

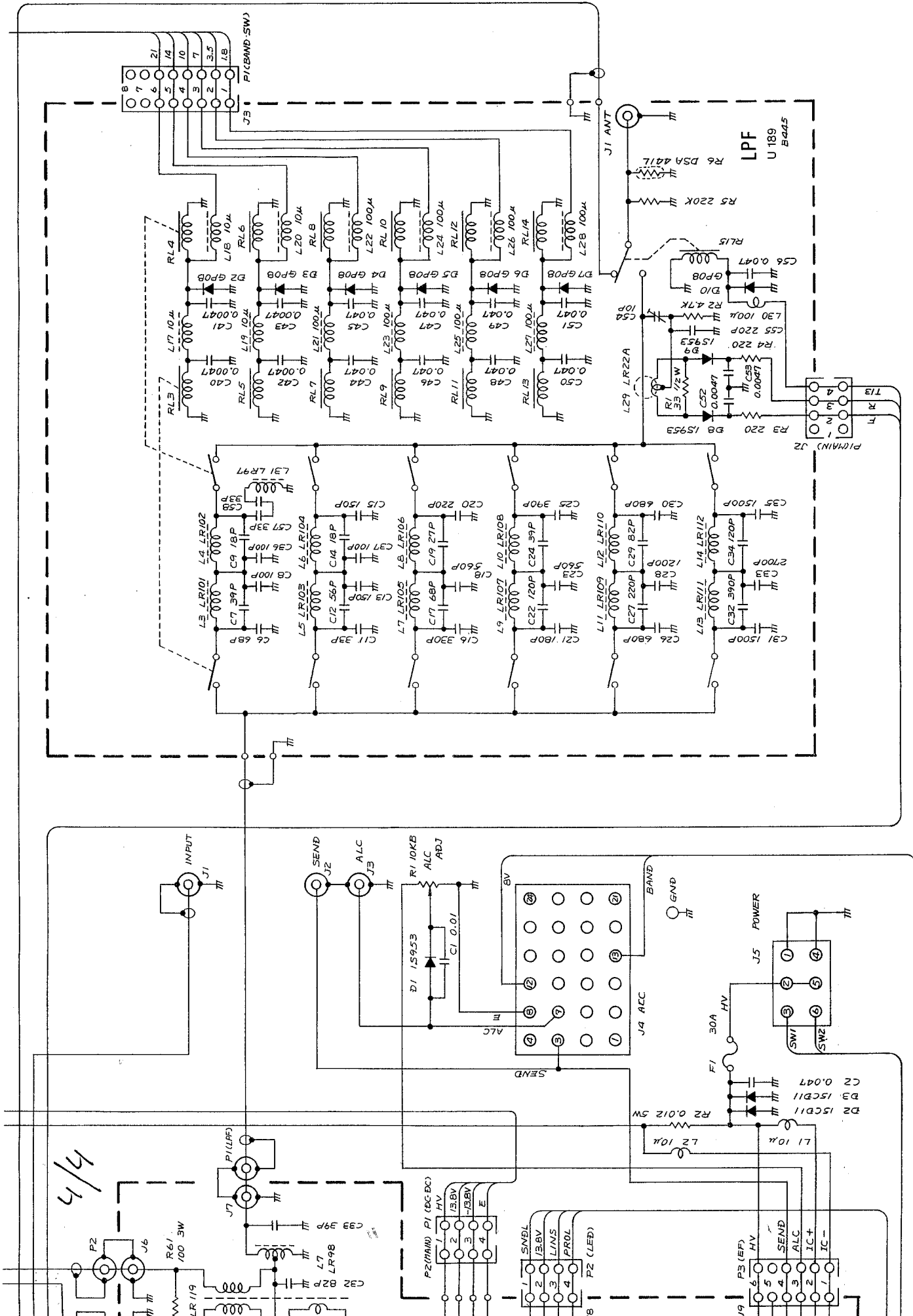
SW1

SW2

POWER

ON

OFF



A-0304

Some components subject to change for an improvement without notice.

ICOM ICOM INCORPORATED



4/4