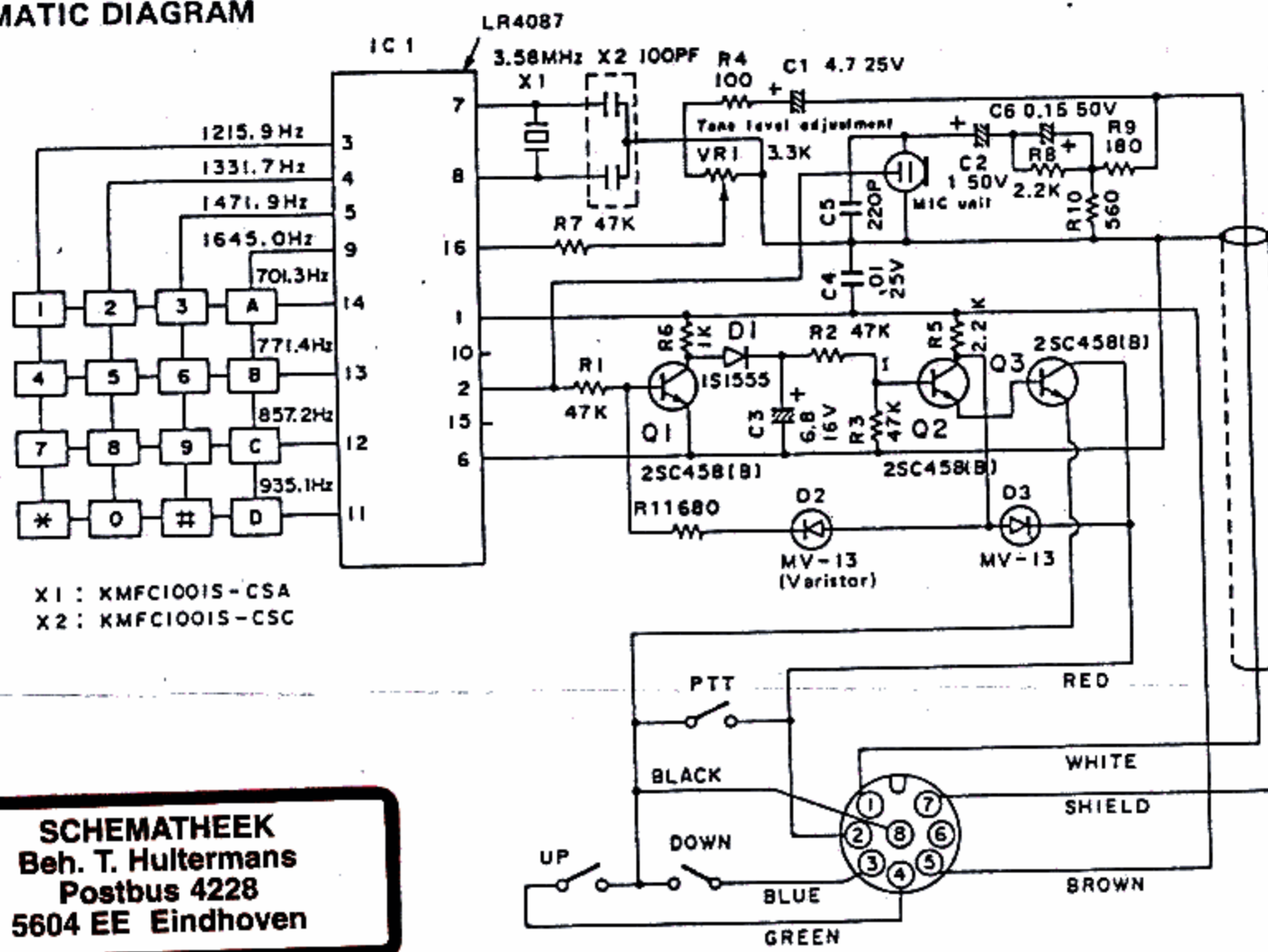


SCHEMATIC DIAGRAM



SCHEMATHEEK
 Beh. T. Hultermans
 Postbus 4228
 5604 EE Eindhoven

SPECIFICATIONS

[GENERAL]

Power requirement	8.5 V DC \pm 10%
Current drain:	Less than 20mA (at 8.5 V DC)
Connector:	8 pins
Dimensions:	W 51 x H 73 x D 33 mm
Weight:	145 gr. (Approx.)

[MICROPHONE]

Element:	Electret condensor
Sensitivity:	-78 dB (0 dB = 1 V/1 μ bar)
impedance:	600 Ω

[AUTOPATCH]

Key:	16 keys
Tone output	3.2mV/5.6K Ω . (Adjustable) (With the keys 3 and 6 simultaneously depressed)



SCHEMATHEEK
 Beh. T. Hultermans
 Postbus 4228
 5604 EE Eindhoven