

DJ-560T/E

Service Manual

Index

● SPECIFICATIONS.....	1
● PARTS LIST.....	2
● CABINET PARTS LOCATION.....	7
● ADJUSTMENT.....	9
● BLOCK DIAGRAM.....	12
● SCHEMATIC DIAGRAM OF CPU UNIT.....	13
● CPU PC BOARD.....	15
● SCHEMATIC DIAGRAM OF IF UNIT.....	17
● IF PC BOARD.....	19
● SCHEMATIC DIAGRAM OF VCO UNIT.....	23
● VCO PC BOARD.....	25
● SCHEMATIC DIAGRAM OF RF UNIT.....	27
● RF PC BOARD.....	29

ALINCO ELECTRONICS INC.

■ SPECIFICATIONS

■ General

Frequency Coverage	See MODEL CHART
Memory Channel	42 Channels (VHF/UHF 20 Channels Each & Independent Call Channels)
Signal Type	F3
Mic. Input Impedance.....	2k Ω
Speaker Impedance	8 Ω
Power Supply Requirement.....	D.C. 7.2V
Dimensions.....	169(H) x 57(W) x 32(D)mm (6.65 x 2.24 x 1.23 inch)
Weight	Approx. 440g (0.97 lbs.)

■ Transmitter

Output Power	See BATTERY PACK INFORMATION
Modulation System	Variable reactance Frequency modulation
Max. Freq. Deviation	\pm 5kHz
Spurious Emission	Less than 60dB below carrier
Tone Frequency	67.0 to 250.3Hz — 38 DJ-560T — Subaudible Encoding Tone DJ-560E — 1,750Hz Tone Burst *CTCSS Decoder is included as standard
Operation Mode.....	Simplex, Duplex: 5kHz Steps (Minimum) between 0 and 9.995MHz from receive frequency *DTMF Encoder is included as standard

■ Receiver

Receiving System	Double-conversion superheterodyne
Sensitivity	12dB SINAD less than -15dB μ
Intermediate Frequencies.....	VHF 1st IF 55.05MHz 2nd IF 455kHz UHF 1st IF 58.125MHz 2nd IF 485kHz

MODEL CHART

Type	DJ-560T	DJ-560E
Frequency Coverage (MHz)	VHF: 144.000 — 147.995(TX) 130.000 — 173.995(RX) UHF: 440.000 — 449.995(TX) 400.000 — 519.995(RX)	VHF: 144.000 — 145.995(TX)(RX) UHF: 430.000 — 439.995(TX)(RX)
Channel Spacing (kHz)	5, 10, 12.5, 20, and 25	5, 10, 12.5, 20, and 25
Tone Burst	Not Available	1,750Hz
Subaudible	Included (Encode & Decode)	Included (Encode & Decode)
DTMF	Included (16 Buttons)	Included (16 Buttons)

BATTERY PACK INFORMATION

Battery Pack	Voltage & Current	Output Power (TX) (Hi)	Operating Time	Selected Charger
EBP-10N (Standard)	7.2V 700mAh	2W	About 3hrs.	EDC-17 (A.C. 220/240V) EDC-21 (A.C. 120V)
EBP-12N (Optional)	12V 700mAh	5W	About 3hrs.	EDC-18 (A.C. 220/240V) EDC-22 (A.C. 120V)

Note: The conditions for the above operation time are High output power and the ratio of TX 1 : RX 1 : Waiting for RX 8. The operating time will be longer at Low output power.

■ PARTS LIST (DJ-560T/E)

Ref. No.	Part Code	Part Name and Number	Ref. No.	Part Code	Part Name and Number	Ref. No.	Part Code	Part Name and Number
CPU Unit			R42	RK3034	Chip R, MCR03 470Ω	IC3	XA0068	IC, M5218FP-T01-1
IC1	XA0139	IC, HD4074608H	R43	RK3026	Chip R, MCR03 100Ω	IC4	XA0111	IC, NJM2073M-T1
IC2	XA0108	IC, FX365LG/TR → XA0163 MX365LP	R44	RK3050	Chip R, MCR03 10KΩ	IC5	XA0019	IC, μPD4094BG-T1
IC3	XA0019	IC, μPD4094BG-T1	R45	RK3046	Chip R, MCR03 4.7KΩ	IC6	XA0104	IC, M5236ML-T73A-36
IC4	XA0019	IC, μPD4094BG-T1	R46	RK3046	Chip R, MCR03 4.7KΩ	D1	XD0118	Shot Key, MA716-TW
IC5	XA0105	IC, MC145436DWR	R47	RK3042	Chip R, MCR03 2.2KΩ	D2	XD0040	Diode, DAN202KT96
IC6	XA0106	IC, S-8054HN-CB-T1	R48	RK3038	Chip R, MCR03 1KΩ	D3	XD0118	Shot Key, MA716-TW
Q1	XT0038	Transistor, 2SA1037KT1146R	R49	RK3038	Chip R, MCR03 1KΩ	D4	XD0040	Diode, DAN202KT96
Q2	XT0077	Transistor, 2SC3326KT1146R	R50	RK3066	Chip R, MCR03 220KΩ	D6	XD0118	Shot Key, MA716-TW
Q3	XU0022	Digital Transistor, DTA114EKT96	R52	RK3064	Chip R, MCR03 150KΩ	D7	XD0040	Diode, DAN202KT96
Q4	XU0012	Digital Transistor, DTC114EKT96	C1	CS0236	Chip Tantal, TMC-M0J685MTR	D8	XD0040	Diode, DAN202KT96
Q5	XU0012	Digital Transistor, DTC114EKT96	C2	CU3035	Chip C, CM105W5R102K50VAT	D10	XD0118	Shot Key, MA716-TW
Q7	XU0012	Digital Transistor, DTC114EKT96	C3	CS0057	Chip Tantal, TMC0J225TR	D11	XD0041	Diode, DAP202KT96
Q8	XT0038	Transistor, 2SA1037KT1146R	C4	CS0053	Chip Tantal, TMC0J476TR	D12	XD0104	Zenner, 02C26-2YTE85L
Q10	XU0022	Digital Transistor, DTA114EKT96	C7	CU3052	Chip C, CM105W5R103K25VAT (T/TW only)	D13	XD0041	Diode, DAP202KT96
Q11	XU0012	Digital Transistor, DTC114EKT96	C8	CU3052	Chip C, CM105W5R103K25VAT (T/TW only)	D14	XD0040	Diode, DAN202KT96
Q12	XT0037	Transistor, 2SC2412KT1146R	C9	CS0049	Chip Tantal, TMC1C105TR	D15	XD0110	Diode, IN5551
Q13	XT0037	Transistor, 2SC2412KT1146R	C10	CU3035	Chip C, CM105W5R102K50VAT	D16	XD0041	Diode, DAP202KT96
Q14	XT0038	Transistor, 2SA1037KT1146R	C11	CU8003	Chip C, C2012JF1E104Z	D18	XD0118	Shot Key, MA716-TW
D1	XD0040	Diode, DAN202KT96	C12	CS0049	Chip Tantal, TMC1C105TR	Q1	XT0081	Transistor, 2SC2714YTE85L
D2	XD0040	Diode, DAN202KT96	C13	CU8003	Chip C, C2012JF1E104Z	Q2	XT0037	Transistor, 2SC2412KT146R
D3	XD0120	Shot Key, MA704WKTX	C14	CU8003	Chip C, C2012JF1E104Z	Q3	XT0037	Transistor, 2SC2412KT146R
D4	XD0091	Diode, IMN10T108	C15	CU3058	Chip C, GR39CH221J50PT	Q4	XU0026	Digital Transistor, FMG2XT98
D5	XD0040	Diode, DAN202KT96	C16	CU3058	Chip C, GR39CH221J50PT	Q5	XU0017	Digital Transistor, DTA114EKT146
D6	XD0120	Shot Key, MA704WKTX	C17	CS0049	Chip Tantal, TMC1C105TR	Q6	XT0036	Transistor, 2SC2413KT146R
D7	XD0040	Diode, DAN202KT96	C18	CU8003	Chip C, C2012JF1E104Z	Q7	XT0036	Transistor, 2SC2413KT146R
D8	XD0040	Diode, DAN202KT96 (E only)	C19	CU3023	Chip C, CM105CH101K	Q9	XT0081	Transistor, 2SC2714YTE85L
D9	XD0040	Diode, DAN202KT96 (T/TW only)	C20	CU3023	Chip C, CM105CH101K	Q10	XT0037	Transistor, 2SC2412KT146R
D11	XD0040	Diode, DAN202KT96	C21	CU3035	Chip C, CM105W5R102K50VAT	Q11	XT0037	Transistor, 2SC2412KT146R
J1	RK3001	Chip R, MCR03 0Ω	C22	CS0050	Chip Tantal, TMC1A475TR	Q12	XT0037	Transistor, 2SC2412KT146R
R1	RK3050	Chip R, MCR03 10KΩ	C23	CU3035	Chip C, CM105W5R102K50VAT	Q13	XT0036	Transistor, 2SC2413KT146R
R2	RK3038	Chip R, MCR03 1KΩ	C24	CU3031	Chip C, CM105W5R471K50VAT	Q14	XT0036	Transistor, 2SC2413KT146R
R3	RK3056	Chip R, MCR03 33KΩ	C25	CU3035	Chip C, CM105W5R102K50VAT	Q15	XU0017	Digital Transistor, DTA114EKT146
R4	RK3046	Chip R, MCR03 4.7KΩ	C26	CU3035	Chip C, CM105W5R102K50VAT	Q18	XT0088	Transistor, 2SA1213YTE12L
R5	RK3046	Chip R, MCR03 4.7KΩ	C27	CU3052	Chip C, CM105W5R103K25VAT	Q19	XT0037	Transistor, 2SC2412KT146R
R6	RK3046	Chip R, MCR03 4.7KΩ	C28	CU8003	Chip C, C2012JF1E104Z	Q20	XU0002	Digital Transistor, DTC114YKT146
R7	RK3050	Chip R, MCR03 10KΩ	C29	CU8003	Chip C, C2012JF1E104Z	Q21	XT0088	Transistor, 2SA1213YTE12L
R8	RK3050	Chip R, MCR03 10KΩ	C30	CU3052	Chip C, CM105W5R103K25VAT	Q22	XT0088	Transistor, 2SA1213YTE12L
R9	RK3050	Chip R, MCR03 10KΩ	C31	CU3031	Chip C, CM105W5R471K50VAT	Q23	XU0027	Digital Transistor, FMA7XT98
R10	RK3038	Chip R, MCR03 1KΩ (T/TW only)	C32	CU3052	Chip C, CM105W5R103K25VAT	Q24	XU0026	Digital Transistor, FMG2XT98
R10	RK3060	Chip R, MCR03 68KΩ (E only)	C33	CU3035	Chip C, CM105W5R102K50VAT	Q26	XU0027	Digital Transistor, FMA7XT98
R12	RK3050	Chip R, MCR03 10KΩ	C34	CU3035	Chip C, CM105W5R102K50VAT	Q27	XU0017	Digital Transistor, DTA114EKT146
R13	RK3038	Chip R, MCR03 1KΩ	C39	CU3035	Chip C, CM105W5R102K50VAT	Q28	XT0037	Transistor, 2SC2412KT146R
R15	RK3050	Chip R, MCR03 10KΩ	C40	CU3035	Chip C, CM105W5R102K50VAT	Q29	XT0088	Transistor, 2SA1213YTE12L
R16	RK3038	Chip R, MCR03 1KΩ	C41	CU3035	Chip C, CM105W5R102K50VAT	Q30	XT0057	Transistor, 2SB1184F5T200Q
R17	RK3001	Chip R, MCR03 0Ω (E only)	C42	CU3035	Chip C, CM105W5R102K50VAT	Q31	XU0002	Digital Transistor, DTC114YKT146
R17	RK3050	Chip R, MCR03 10KΩ (T/TE/TW only)	C43	CS0063	Chip Tantal, TMC1V104TR	Q32	XU0002	Digital Transistor, DTC114YKT146
R18	RK3073	Chip R, MCR03 820KΩ	C44	CU8003	Chip C, C2012JF1E104Z	Q33	XU0002	Digital Transistor, DTC114YKT146
R19	RK3074	Chip R, MCR03 1MΩ	C45	CU3052	Chip C, CM105W5R103K25VAT	Q34	XU0012	Digital Transistor, DTC114EKT146
R20	RK3046	Chip R, MCR03 4.7KΩ	C46	CU3043	Chip C, CM105W5R472K50VAT (E only)	Q35	XU0012	Digital Transistor, DTC114EKT146
R21	RK3058	Chip R, MCR03 47KΩ	L1	QC0043	Chip L, NL322522T-2R2M	X1	XQ0041	UM-1 57.64MHz
R22	RK3074	Chip R, MCR03 1MΩ	X1	XB0006	CSB1000J221	X2	XQ0039	UM-1 54.595MHz
R23	RK3062	Chip R, MCR03 100KΩ	X2	XB0005	Ceramic Resonator, 800kHz	CF1	XC0005	Ceramic Filter, CFUM455E
R27	RK3062	Chip R, MCR03 100KΩ (T/TE/TW only)	X4	XB0001	FAR, C4CA03580000K01R	CF2	XC0004	Ceramic Filter, CFWM485F
R28	RK3074	Chip R, MCR03 1MΩ	LP1	EP0005	CPU Front Shield Lamp, 23-BR-5V60	VR1	RV0014	VR, RK09722115R1211(10KB×2)
R29	RK3038	Chip R, MCR03 1KΩ	LP2	EP0005	Lamp, 23-BR-5V60	VR2	RH0059	VR, MVR32H×BN223
R30	RK3038	Chip R, MCR03 1KΩ	CN1	UE0103	LCD	VR4	RV0015	VR, RK0972210(10KB×2)
R31	RK3038	Chip R, MCR03 1KΩ		UP0177	B-B Housing, 52022-2810	VR5	RH0059	VR, MVR32H×BN223
R32	RK3038	Chip R, MCR03 1KΩ		ST0023	CPU UNIT	VR7	RH0060	VR, MVR32H×BN473
R33	RK3058	Chip R, MCR03 47KΩ		SD0005	LCD Flame	VR8	RH0060	VR, MVR32H×BN473
R34	RK3074	Chip R, MCR03 1MΩ		DH0005	LCD Reflection Board	VR9	RH0060	VR, MVR32H×BN473
R35	RK3044	Chip R, MCR03 3.3KΩ		FG0053	Rover Connector	UR0005	UR0005	Rotary Encoder, EC09P20-04L20
R36	RK3044	Chip R, MCR03 3.3KΩ		EY0003	Mic Unit	L1	QC0037	Chip L, NL322522TR68M
R37	RK3044	Chip R, MCR03 3.3KΩ		ED0005	Lithium Battery	L2	QA0044	455kHz IF Coil-T
R40	RK3074	Chip R, MCR03 1MΩ		YZ0058	Solder Plating Cable 0.4Φ1mm	L3	QC0037	Chip L, NL322522TR68M
R41	RK3054	Chip R, MCR03 22KΩ		TZ0024	Lithium Insulator	L4	QA0044	455kHz IF Coil-T
				TS0048	CPU Shield	L5	QC0039	Chip L, NL322522TR10M
				TS0045	IF Earth Hardware			
IF Unit			IC1	XA0070	IC, MC3361DT			
			IC2	XA0070	IC, MC3361DT			

Ref. No.	Part Code	Part Name and Number	Ref. No.	Part Code	Part Name and Number	Ref. No.	Part Code	Part Name and Number
JK3	UJ0019	Jack, HSJ1423-01-010	R87	RK3050	Chip R, MCR03 10KΩ	C45	CU3043	Chip C, CM105W5R472K
JK4	UJ0015	DC Jack, HEC1781-01-020	R89	RK3042	Chip R, MCR03 2.2KΩ	C46	CU3019	Chip C, CM105CH470K
TH1	XS0007	Thermister, TD5-C230D	R90	RK3042	Chip R, MCR03 2.2KΩ	C50	CU3052	Chip C, CM105W5R103K
TH2	XS0007	Thermister, TD5-C230D	R91	RK3022	Chip R, MCR03 47Ω	C51	CU3059	Chip C, C2012Y1E104Z
J1	RK3001	Chip R, MCR03 0Ω	R92	RK3038	Chip R, MCR03 1KΩ	C52	CU3052	Chip C, CM105W5R103K
J2	RK3001	Chip R, MCR03 0Ω	R93	RK3038	Chip R, MCR03 1KΩ	C53	CU3052	Chip C, CM105W5R103K
R1	RK3072	Chip R, MCR03 680KΩ	R94	RK3038	Chip R, MCR03 1KΩ	C54	CU3059	Chip C, C2012Y1E104Z
R2	RK3038	Chip R, MCR03 1KΩ	R95	RK3038	Chip R, MCR03 1KΩ	C55	CU3059	Chip C, C2012Y1E104Z
R3	RK3050	Chip R, MCR03 10KΩ	R96	RK3028	Chip R, MCR03 150Ω	C56	CU3052	Chip C, CM105W5R103K
R4	RK3062	Chip R, MCR03 100KΩ	R97	RK3028	Chip R, MCR03 150Ω	C57	CU3026	Chip C, CM105CH181K
R6	RK3042	Chip R, MCR03 2.2KΩ	R98	RK3034	Chip R, MCR03 470Ω	C57	CU3026	Chip C, CM105CH181K
R7	RK3070	Chip R, MCR03 470KΩ	R99	RK3038	Chip R, MCR03 1KΩ	C58	CU3035	Chip C, CM105W5R102K
R8	RK3042	Chip R, MCR03 2.2KΩ	R100	RK3034	Chip R, MCR03 470Ω	C59	CU3041	Chip C, CM105W5R332K
R9	RK3038	Chip R, MCR03 1KΩ	R101	RK3050	Chip R, MCR03 10KΩ	C60	CU3035	Chip C, CM105W5R102K
R10	RK3050	Chip R, MCR03 10KΩ	R102	RK3072	Chip R, MCR03 2.2Ω	C61	CU3035	Chip C, CM105W5R102K
R11	RK3042	Chip R, MCR03 2.2KΩ	R103	RK3029	Chip R, MCR03 180Ω	C62	CU3023	Chip C, CM105CH101K
R12	RK3067	Chip R, MCR03 270KΩ	R104	RK3072	Chip R, MCR03 2.2Ω	C63	CS0063	Chip Tantal, TMC1V104TR
R13	RK3046	Chip R, MCR03 4.7KΩ	R105	RK3066	Chip R, MCR03 220KΩ	C64	CU3054	Chip C, CM105W5R223K
R14	RK3034	Chip R, MCR03 470Ω	R106	RK3066	Chip R, MCR03 220KΩ	C65	CU3059	Chip C, CM105Y5V104Z
R15	RK3050	Chip R, MCR03 10KΩ	R107	RK3046	Chip R, MCR03 4.7KΩ	C66	CS0050	Chip Tantal, TMC1A475TR
R16	RK3058	Chip R, MCR03 47KΩ	R108	RK3044	Chip R, MCR03 3.3KΩ	C67	CU3056	Chip C, CM105Y5V473Z
R17	RK3022	Chip R, MCR03 47Ω	R109	RK3050	Chip R, MCR03 10KΩ	C68	CU3006	Chip C, CM105CH050C
R18	RK3022	Chip R, MCR03 47Ω	R110	RK3053	Chip R, MCR03 150KΩ	C69	CU3019	Chip C, CM105CH470K
R19	RK3050	Chip R, MCR03 10KΩ	R111	RK3058	Chip R, MCR03 47KΩ	C70	CU3013	Chip C, CM105CH150K
R20	RK3046	Chip R, MCR03 4.7KΩ	R112	RK3058	Chip R, MCR03 47KΩ	C71	CU3059	Chip C, C2012Y1E104Z
R21	RK3050	Chip R, MCR03 10KΩ	R113	RK3058	Chip R, MCR03 47KΩ	C72	CS0057	Chip Tantal, TMC0J226TR
R22	RK3054	Chip R, MCR03 22KΩ	R114	RK3058	Chip R, MCR03 47KΩ	C73	CU3059	Chip C, C2012Y1E104Z
R23	RK3050	Chip R, MCR03 10KΩ	R115	RK3058	Chip R, MCR03 47KΩ	C74	CU3059	Chip C, C2012Y1E104Z
R24	RK3022	Chip R, MCR03 47Ω	R116	RK3058	Chip R, MCR03 47KΩ	C75	CU3060	Chip C, CM105CH221K
R25	RK3071	Chip R, MCR03 560KΩ	R117	RK3058	Chip R, MCR03 47KΩ	C76	CU3059	Chip C, C2012Y1E104Z
R26	RK3062	Chip R, MCR03 100KΩ	R118	RK3058	Chip R, MCR03 47KΩ	C77	CU3019	Chip C, CM105CH470K
R27	RK3042	Chip R, MCR03 2.2KΩ	R119	RK3058	Chip R, MCR03 47KΩ	C78	CU3035	Chip C, CM105W5R102K
R28	RK3062	Chip R, MCR03 100KΩ	R120	RK3026	Chip R, MCR03 100Ω	C79	CU3035	Chip C, CM105W5R102K
R29	RK3058	Chip R, MCR03 47KΩ	R121	RK3050	Chip R, MCR03 10KΩ	C81	CU3059	Chip C, CM105Y5V104Z
R30	RK3062	Chip R, MCR03 100KΩ	R122	RK3054	Chip R, MCR03 22KΩ	C85	CS0050	Chip Tantal, TMC1A475TR
R31	RK3062	Chip R, MCR03 100KΩ	R123	RK3022	Chip R, MCR03 22KΩ	C86	CS0050	Chip Tantal, TMC1A475TR
R32	RK3059	Chip R, MCR03 56KΩ	R124	RK3022	Chip R, MCR03 22KΩ	C87	CU3059	Chip C, C2012Y1E104Z
R33	RK3066	Chip R, MCR03 220KΩ	R125	RK3050	Chip R, MCR03 10KΩ	C88	CE0315	Elect Cap, 6CV47B
R35	RK3058	Chip R, MCR03 47KΩ	R126	RK3050	Chip R, MCR03 10KΩ	C89	CU3059	Chip C, C2012Y1E104Z
R36	RK3050	Chip R, MCR03 10KΩ	R127	RK3072	Chip R, MCR03 2.2Ω	C90	CE0315	Elect Cap, 6CV47B
R37	RK3029	Chip R, MCR03 180Ω	R128	RK3042	Chip R, MCR03 2.2KΩ	C91	CU3059	Chip C, C2012Y1E104Z
R38	RK3067	Chip R, MCR03 270KΩ	R129	RK3046	Chip R, MCR03 4.7KΩ	C92	CS0053	Chip Tantal, TMC0J476TR
R39	RK3065	Chip R, MCR03 180KΩ	R130	RK3046	Chip R, MCR03 4.7KΩ	C93	CU3031	Chip C, CM105W5R471K
R40	RK3050	Chip R, MCR03 10KΩ	R131	RK3062	Chip R, MCR03 100KΩ	C94	CS0057	Chip Tantal, TMC0J226TR
R41	RK3058	Chip R, MCR03 47KΩ	R132	RK3026	Chip R, MCR03 100Ω	C95	CU3031	Chip C, CM105W5R471K
R45	RK3058	Chip R, MCR03 47KΩ	C1	CU3052	Chip C, CM105W5R103K	C96	CU3035	Chip C, CM105W5R102K
R46	RK3044	Chip R, MCR03 3.3KΩ	C2	CU3052	Chip C, CM105W5R103K	C97	CE0315	Elect Cap, 16CV47B
R47	RK3058	Chip R, MCR03 47KΩ	C3	CU3059	Chip C, C2012Y1E104Z	C98	CU3035	Chip C, CM105W5R102K
R48	RK3050	Chip R, MCR03 10KΩ	C4	CU3059	Chip C, C2012Y1E104Z	C99	CU3035	Chip C, CM105W5R102K
R49	RK3062	Chip R, MCR03 100KΩ	C5	CU3052	Chip C, CM105W5R103K	C100	CU3031	Chip C, CM105W5R471K
R51	RK3042	Chip R, MCR03 2.2KΩ	C6	CU3059	Chip C, C2012Y1E104Z	C101	CU3031	Chip C, CM105W5R471K
R52	RK3070	Chip R, MCR03 470KΩ	C7	CU3052	Chip C, CM105W5R103K	C102	CU3059	Chip C, CM105Y5V104Z
R53	RK3042	Chip R, MCR03 2.2KΩ	C8	CU3026	Chip C, CM105CH181K	C103	CU3035	Chip C, CM105W5R102K
R54	RK3038	Chip R, MCR03 1KΩ	C9	CU3035	Chip C, CM105W5R102K	C104	CU3052	Chip C, CM105W5R103K
R55	RK3058	Chip R, MCR03 47KΩ	C10	CU3041	Chip C, CM105W5R332K	C105	CU3035	Chip C, CM105W5R102K
R56	RK3042	Chip R, MCR03 2.2KΩ	C11	CU3035	Chip C, CM105W5R102K	C106	CU3052	Chip C, CM105W5R103K
R57	RK3050	Chip R, MCR03 10KΩ	C12	CU3035	Chip C, CM105W5R102K	C107	CS0209	Chip Tantal, TMC0J106MTRB
R58	RK3067	Chip R, MCR03 270KΩ	C13	CU3056	Chip C, CM105Y5V473Z	C108	CU3035	Chip C, CM105W5R102K
R59	RK3046	Chip R, MCR03 4.7KΩ	C14	CS0063	Chip Tantal, TMC1V104TR	C110	CE0315	Elect Cap, 6CV47B
R60	RK3034	Chip R, MCR03 470Ω	C15	CU3054	Chip C, CM105W5R223K	C111	CU3035	Chip C, CM105W5R102K
R61	RK3050	Chip R, MCR03 10KΩ	C16	CU3059	Chip C, CM105Y5V104Z	C112	CS0053	Chip Tantal, TMC0J476TR
R62	RK3061	Chip R, MCR03 82KΩ (E only)	C17	CS0050	Chip Tantal, TMC1A475TR	C113	CU3035	Chip C, CM105W5R102K
R63	RK3050	Chip R, MCR03 10KΩ	C18	CU3059	Chip C, C2012Y1E104Z	C113	CU3052	Chip C, CM105W5R103K
R64	RK3050	Chip R, MCR03 10KΩ	C19	CU3059	Chip C, CM105Y5V104Z	C114	CU3035	Chip C, CM105W5R102K
R65	RK3050	Chip R, MCR03 10KΩ	C20	CU3019	Chip C, CM105CH470K	C115	CU3052	Chip C, CM105W5R103K
R66	RK3054	Chip R, MCR03 22KΩ	C21	CU3011	Chip C, CM105CH100K	C116	CU3059	Chip C, C2012Y1E104Z
R67	RK3050	Chip R, MCR03 10KΩ	C22	CU3013	Chip C, CM105CH150K	C117	CE0315	Elect Cap, 16CV47B
R68	RK3022	Chip R, MCR03 47Ω	C23	CU3035	Chip C, CM105W5R102K	C118	CU3059	Chip C, CM105Y5V104Z
R69	RK3071	Chip R, MCR03 560KΩ	C24	CS0057	Chip Tantal, TMC0J226TR	C119	CU3035	Chip C, CM105W5R102K
R70	RK3062	Chip R, MCR03 100KΩ	C25	CU3059	Chip C, C2012Y1E104Z	C120	CU3035	Chip C, CM105W5R102K
R71	RK3042	Chip R, MCR03 2.2KΩ	C26	CU3059	Chip C, C2012Y1E104Z	C121	CU3059	Chip C, C2012Y1E104Z
R74	RK3046	Chip R, MCR03 4.7KΩ	C27	CU3059	Chip C, C2012Y1E104Z	C122	CU3061	Chip C, CM105CH271K
R79	RK3046	Chip R, MCR03 4.7KΩ	C28	CU3060	Chip C, CM105CH221K	C124	CU3035	Chip C, CM105W5R102K
R81	RK3046	Chip R, MCR03 4.7KΩ	C29	CU3059	Chip C, C2012Y1E104Z	C125	CU3035	Chip C, CM105W5R102K
R82	RK3062	Chip R, MCR03 100KΩ	C30	CU3019	Chip C, CM105CH470K	C126	CU3035	Chip C, CM105W5R102K
R83	RK3062	Chip R, MCR03 100KΩ	C31	CU3035	Chip C, CM105W5R102K	C127	CU3023	Chip C, CM105CH101K
R84	RK3058	Chip R, MCR03 47KΩ	C32	CU3035	Chip C, CM105W5R102K	C128	CU3023	Chip C, CM105CH101K
R85	RK3072	Chip R, MCR03 2.2Ω	C33	CU3059	Chip C, CM105Y5V104Z	C129	CU3023	Chip C, CM105CH101K
	RK3072	Chip R, MCR03 2.2Ω	C34	CU3023	Chip C, CM105CH101K	C130	CU3023	Chip C, CM105CH101K
			C35	CU3024	Chip C, CM105CH121K	C131	CU3061	Chip C, CM105CH271K
			C36	CU3035	Chip C, CM105W5R102K	C132	CU3035	Chip C, CM105W5R102K
			C37	CU3035	Chip C, CM105W5R102K	C134	CU3054	Chip C, CM105W5R223K
			C38	CU3059	Chip C, C2012Y1E104Z			
			C39	CU3031	Chip C, CM105W5R471K			
			C40	CU3031	Chip C, CM105W5R471K			
			C41	CS0069	Chip Tantal, TMC1V154TR			
			C42	CS0049	Chip Tantal, TMC1C105TR			
			C43	CS0209	Chip Tantal, TMC0J106MTRB			
			C44	CS0209	Chip Tantal, TMC0J106MTRB			

Ref. No.	Part Code	Part Name and Number
C135	CU3035	Chip C, CM105W5R102K
C136	CU3035	Chip C, CM105W5R102K
C137	CS0235	Chip Tantal, TMC01V334MTR
C138	CS0235	Chip Tantal, TMC01V334MTR
C139	CU3035	Chip C, CM105W5R102K
C140	CU3035	Chip C, CM105W5R102K
C141	CU3035	Chip C, CM105W5R102K
C142	CU3035	Chip C, CM105W5R102K
C143	CU3035	Chip C, CM105W5R102K
C144	CU3035	Chip C, CM105W5R102K
C146	CU3023	Chip C, CM105CH101K
CN6	UE0039	Housing, TZL-P02P A1
	UA0028	FFC 20Pin 24mm
	UE0106	B-B Connector, 50020-8114
	UE0104	B-B Wafer, 53020-2810
	TS0044	VOL Earth Board
	TS0050	IF Spring
Switch Unit		
SW1	UU0011	Tact Switch, SKHMPU Real
SW2	UU0011	Tact Switch, SKHMPU Real
SW3	UU0011	Tact Switch, SKHMPU Real
CN7	UE0123	Pin Header, TZL-P05P-L1
J1	RK3031	Chip J, MCR03 0Ω (T only)
J2	RK3031	Chip J, MCR03 0Ω (T only)
C35	CU3031	Chip C, CM105W5R471K
C36	CU3035	Chip C, CM105W5R102K
C37	CU3035	Chip C, CM105W5R102K
C38	CU3035	Chip C, CM105W5R102K
VCO Unit		
Q3	XT0090	Transistor, 2SC2411KT146Q
Q4	XT0030	Transistor, 2SC3356T1BR25
Q5	XT0082	Transistor, 2SC3120TE85L
D1	XD0077	Varicap, 1SV161TPH2
D2	XD0077	Varicap, 1SV161TPH2
L2	QA0063	VCO Coil
L3	QK0081	Aire Core Coil, 0.4-1.5 × 4T
L4	QC0010	Chip L, MLF3216E100M
L5	QC0010	Chip L, MLF3216E100M
L6	QC0010	Chip L, MLF3216E100M
L7	QC0003	Chip L, MLF3216A1R0M
	UT0019	PC Board Terminal
	TS0039	VCO Case, 560
R4	RK3046	Chip R, MCR03 4.7KΩ
R6	RK3050	Chip R, MCR03 10KΩ
R7	RK3062	Chip R, MCR03 100KΩ
R8	RK3038	Chip R, MCR03 1KΩ
R10	RK3062	Chip R, MCR03 100KΩ
R11	RK3026	Chip R, MCR03 100Ω
R12	RK3036	Chip R, MCR03 680Ω
R13	RK3046	Chip R, MCR03 4.7KΩ
R14	RK3022	Chip R, MCR03 47Ω
R15	RK3026	Chip R, MCR03 100Ω
R16	RK3050	Chip R, MCR03 10KΩ
R17	RK3054	Chip R, MCR03 22KΩ
R18	RK3030	Chip R, MCR03 220Ω
R19	RK3052	Chip R, MCR03 15KΩ
C1	CS0058	Chip Tantal, TMC0J685TR
C2	CU8003	Chip C, C2012Y1E104Z
C4	CU3035	Chip C, CM105W5R102K
C5	CU3052	Chip C, CM105W5R103K
C6	CU3035	Chip C, CM105W5R102K
C7	CU3052	Chip C, CM105W5R103K
C8	CU3035	Chip C, CM105W5R102K
C10	CU3052	Chip C, CM105W5R103K
C11	CU3035	Chip C, CM105W5R102K
C12	CS0063	Chip Tantal, TMC1V104TR
C13	CU3003	Chip C, CM105CH020C
C14	CU3052	Chip C, CM105W5R103K

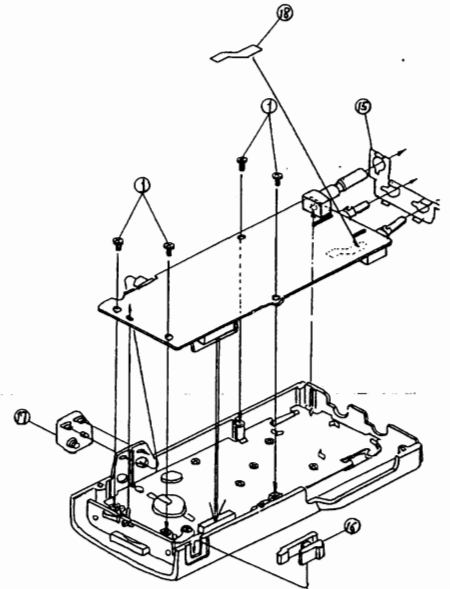
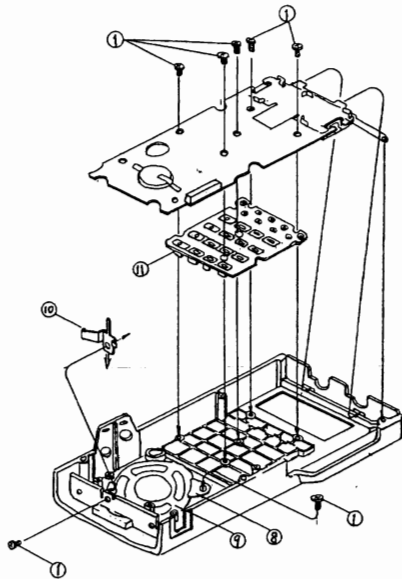
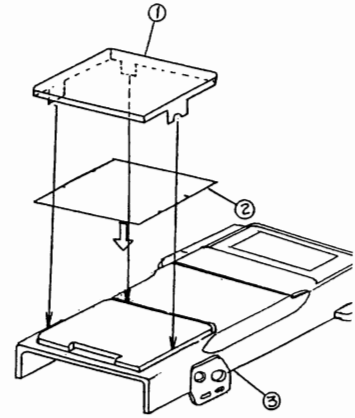
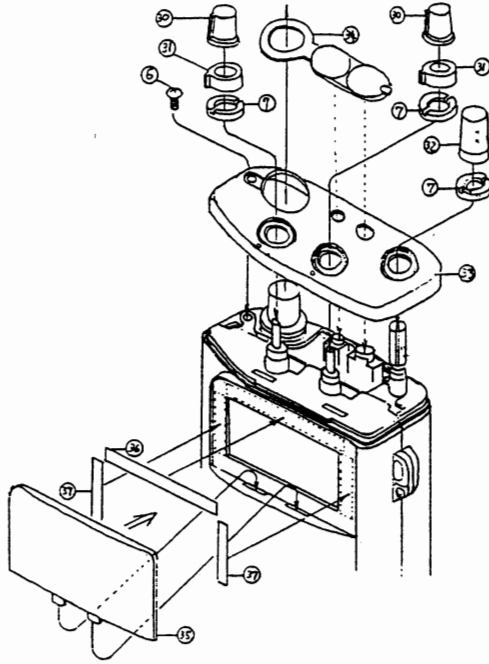
Ref. No.	Part Code	Part Name and Number
C15	CU3023	Chip C, CM105CH101K
C17	CU3035	Chip C, CM105W5R102K
C18	CU3035	Chip C, CM105W5R102K
UCO Unit		
Q3	XT0035	Transistor, 2SC3429T85R
Q4	XT0035	Transistor, 2SC3429T85R
Q5	XT0030	Transistor, 2SC3356T1BR25
D2	XD0098	Varicap, 1SV153TPH2
D3	XD0098	Varicap, 1SV153TPH2
D4	XD0098	Varicap, 1SV153TPH2
D5	XD0098	Varicap, 1SV153TPH2
D6	XD0098	Varicap, 1SV153TPH2
D7	XD0040	Diode, DAN202KT96
L2	QK0087	Aire Core Coil, 0.45-2.0 × 4.5T
L3	QC0039	Chip L, NL322522T1R0M
L4	QC0039	Chip L, NL322522T1R0M
L5	QK0082	Aire Core Coil, 0.5-2.0 × 3.5T
L6	QC0067	Chip L, NL322522T1R0M
	UT0019	PC Board Terminal, CK-1-2
	TS0032A	VCO Case, 460SX
R7	RK3042	Chip R, MCR03 2.2KΩ
R8	RK3042	Chip R, MCR03 2.2KΩ
R9	RK3032	Chip R, MCR03 330Ω
R10	RK3048	Chip R, MCR03 6.8KΩ
R11	RK3028	Chip R, MCR03 150Ω
R12	RK3050	Chip R, MCR03 10KΩ
R13	RK3022	Chip R, MCR03 47Ω
R14	RK3042	Chip R, MCR03 2.2KΩ
R15	RK3042	Chip R, MCR03 2.2KΩ
R16	RK3050	Chip R, MCR03 10KΩ
R17	RK3032	Chip R, MCR03 330Ω
R18	RK3046	Chip R, MCR03 4.7KΩ
R19	RK3028	Chip R, MCR03 150Ω
R20	RK3050	Chip R, MCR03 10KΩ
R21	RK3022	Chip R, MCR03 47Ω
R22	RK3051	Chip R, MCR03 12KΩ
R23	RK3046	Chip R, MCR03 4.7KΩ
R24	RK3022	Chip R, MCR03 47Ω
C1	CS0057	Chip Tantal, TMC0J225TR
C11	CU3027	Chip C, CM105SL221K
C13	CU3057	Chip C, CM105CH130J
C14	CU3008	Chip C, CM105CH070C
C15	CU3035	Chip C, CM105W5R102K
C16	CU3035	Chip C, CM105W5R102K
C17	CU3016	Chip C, CM105CH270K
C18	CU3005	Chip C, CM105CH040C
C19	CU3002	Chip C, CM105CH010C (E only)
C20	CU3010	Chip C, CM105CH090C
C21	CU3011	Chip C, CM105CH100K
C22	CU3035	Chip C, CM105W5R102K
C23	CU3035	Chip C, CM105W5R102K
C24	CU3002	Chip C, CM105CH010C
C25	CS0049	Chip Tantal, TMC1C105TR
C26	CU3035	Chip C, CM105W5R102K
C27	CU3035	Chip C, CM105W5R102K
C28	CU3035	Chip C, CM105W5R102K
C29	CU3002	Chip C, CM105CH010C
C31	CU3035	Chip C, CM105W5R102K
C32	CU3035	Chip C, CM105W5R102K
RF Unit		
IC1	XA0069	IC, M57797MA
IC2	XA0044	IC, M57796MA
IC3	XA0103	IC, MB1501PF-BND-TF
IC4	XA0103	IC, MB1501PF-BND-TF
Q3	XE0015	FET, 2SK302YTE85
Q4	XT0036	Transistor, 2SC2413KT146P
Q5	XT0036	Transistor, 2SC2413KT146P
Q6	XU0017	Digital Transistor, DTC114YKT146

Ref. No.	Part Code	Part Name and Number
Q7	XU0002	Digital Transistor, DTC114YKT146
Q8	XT0030	Transistor, 2SC3356-T1BR25
Q9	XT0030	Transistor, 2SC3356-T1BR25
Q10	XT0048	Transistor, 2SC3357-T1RE
Q11	XT0030	Transistor, 2SC3356-T1BR25
Q12	XT0030	Transistor, 2SC3356-T1BR25
Q13	XU0002	Digital Transistor, DTC114YKT146
Q14	XU0002	Digital Transistor, DTC114YKT146
Q15	XT0030	Transistor, 2SC3356-T1BR25
Q16	XT0030	Transistor, 2SC3356-T1BR25
Q17	XE0015	FET, 2SK302YTE85
Q18	XT0048	Transistor, 2SC3357-T1RE
Q19	XT0030	Transistor, 2SC3356-T1BR25
Q20	XT0082	Transistor, 2SC3120TE85L
Q21	XU0017	Digital Transistor, DTC114YKT146
Q22	XU0002	Digital Transistor, DTC114YKT146
D2	XD0066	Diode, RLS135-TE-11
D3	XD0040	Diode, DAN202KT96
D4	XD0040	Diode, DAN202KT96
D5	XD0061	Diode, DAN204KT96
D8	XD0066	Diode, RLS135-TE-11
D9	XD0066	Diode, RLS135-TE-11
D10	XD0066	Diode, RLS135-TE-11
D14	XD0066	Diode, RLS135-TE-11
D15	XD0066	Diode, RLS135-TE-11
D16	XD0066	Diode, RLS135-TE-11
D17	XD0077	Varicap, 1SV161TPH2
D18	XD0077	Varicap, 1SV161TPH2
D19	XD0077	Varicap, 1SV161TPH2
VR1	RH0037	VR, CVR-42A-471AW1D
VR2	RH0036	VR, CVR-42A-102AW1D
VR3	RH0038	VR, CVR-42A-473AW1D
VR4	RH0038	VR, CVR-42A-473AW1D
TC4	CT0012	Trimmer Condenser, CTZ-10AW
TC5	CT0012	Trimmer Condenser, CTZ-10AW
TC6	CT0012	Trimmer Condenser, CTZ-10AW
TC7	CT0012	Trimmer Condenser, CTZ-10AW
L3	QA0064	Filter Matching Coil
L4	QA0064	Filter Matching Coil
L5	QA0064	Filter Matching Coil
L6	QC0003	Chip L, MLF3216A1R0M
L7	QC0016	Chip L, MLF3216A2R2M
L9	QK0012	Aire Core Coil, 0.4-2.0 × 2.5T
L10	QK0012	Aire Core Coil, 0.4-2.0 × 2.5T
L11	QK0012	Aire Core Coil, 0.4-2.0 × 2.5T
L12	QK0012	Aire Core Coil, 0.4-2.0 × 2.5T
L13	QC0013	Choke Coil, LAL021R0M
L14	QC0012	Choke Coil, LAL02NA4R7M
L15	QC0012	Choke Coil, LAL02NA4R7M
L16	QK0012	Aire Core Coil, 0.4-2.0 × 2.5T
L17	QK0047	Aire Core Coil, 0.5-2.2 × 3.5T
L18	QK0047	Aire Core Coil, 0.5-2.2 × 3.5T
L19	QK0047	Aire Core Coil, 0.5-2.2 × 3.5T
L20	QK0048	Aire Core Coil, 0.5-2.2 × 4.5T
L21	QK0074	Aire Core Coil, 0.4-1.6 × 9.5T
L22	QA0065	Front End, BPF
L23	QC0003	Chip L, MLF3216A1R0M
L24	QA0065	Front End, BPF
L25	QA0065	Front End, BPF
L26	QA0064	Filter Matching Coil
L27	QA0064	Filter Matching Coil
L28	QA0064	Filter Matching Coil
L29	QK0012	Aire Core Coil, 0.4-2.0 × 2.5T
L30	QC0013	Choke Coil, LAL021R0M
L31	QC0047	Chip L, MLF322522T4R7M
L32	QK0079	Aire Core Coil, 0.4-2.6 × 6T
L33	QC0013	Choke Coil, LAL021R0M
L34	QC0015	Choke Coil, LAL02R22M
L35	QC0003	Chip L, MLF3216A1R0M
L36	QK0012	Aire Core Coil, 0.4-2.0 × 2.5T
J1	RK3001	Chip R, MCR03 0Ω
J2	RK3001	Chip R, MCR03 0Ω

Ref. No.	Part Code	Part Name and Number	Ref. No.	Part Code	Part Name and Number	Ref. No.	Part Code	Part Name and Number
J3	RK3001	Chip R, MCR03 0Ω	R107	RK3022	Chip R, MCR03 47Ω	C56	CU3015	Chip C, CM105CH220K
J4	RK3001	Chip R, MCR03 0Ω	R108	RK3038	Chip R, MCR03 1KΩ	C57	CU3035	Chip C, CM105W5R102K
R10	RK3038	Chip R, MCR03 1KΩ	R109	RK3030	Chip R, MCR03 220Ω	C58	CU3035	Chip C, CM105W5R102K
R11	RK3050	Chip R, MCR03 10KΩ	R110	RK3062	Chip R, MCR03 100KΩ	C61	CU3002	Chip C, CM105CH010C
R12	RK3034	Chip R, MCR03 470Ω	R111	RK3022	Chip R, MCR03 47Ω	C64	CU3031	Chip C, CM105W5R471K
R13	RK3030	Chip R, MCR03 220Ω	R112	RK3022	Chip R, MCR03 47Ω	C65	CU3002	Chip C, CM105CH010C
R14	RK3058	Chip R, MCR03 47KΩ	R114	RK3026	Chip R, MCR03 100Ω	C66	CU3035	Chip C, CM105W5R102K
R15	RK3058	Chip R, MCR03 47KΩ	R115	RK3074	Chip R, MCR03 1MΩ	C67	CU3006	Chip C, CM105CH050C (E only)
R16	RK3038	Chip R, MCR03 1KΩ	R116	RK3026	Chip R, MCR03 100Ω	C67	CU3007	Chip C, CM105CH060C (T/TW only)
R17	RK3068	Chip R, MCR03 330KΩ	R118	RK3034	Chip R, MCR03 470Ω	C68	CU3006	Chip C, CM105CH050C (T/TW only)
R18	RK3042	Chip R, MCR03 2.2KΩ	R120	RK3026	Chip R, MCR03 100Ω	C68	CU3008	Chip C, CM105CH070C (E only)
R19	RK3038	Chip R, MCR03 1KΩ	R122	RK3026	Chip R, MCR03 100Ω	C69	CU3035	Chip C, CM105W5R102K
R20	RK3026	Chip R, MCR03 100Ω	J11	RK0107	Chip R, MCR10 0Ω	C70	CE0033	Chemical C, 10V 10μFMS5D=3
R24	RK3050	Chip R, MCR03 10KΩ	J14	RK0107	Chip R, MCR10 0Ω	C71	CU3019	Chip C, CM105CH470K
R25	RK3050	Chip R, MCR03 10KΩ	J15	RK0107	Chip R, MCR10 0Ω	C73	CU3035	Chip C, CM105W5R102K
R26	RK3050	Chip R, MCR03 10KΩ	J16	RK0107	Chip R, MCR10 0Ω	C74	CU3003	Chip C, CM105CH020C (T/TW only)
R27	RK3026	Chip R, MCR03 100Ω	J17	RK0107	Chip R, MCR10 0Ω	C74	CU3005	Chip C, CM105CH040C (E only)
R28	RK3026	Chip R, MCR03 100Ω	J18	RK0107	Chip R, MCR10 0Ω	C75	CU3015	Chip C, CM105CH220K (E only)
R30	RK3026	Chip R, MCR03 100Ω	R21	RK3054	Chip R, MCR03 22KΩ	C75	CU3016	Chip C, CM105CH270K (T/TW only)
R34	RK3034	Chip R, MCR03 470Ω	R22	RK3054	Chip R, MCR03 22KΩ	C76	CU3035	Chip C, CM105W5R102K
R35	RK3046	Chip R, MCR03 4.7KΩ	R23	RK3054	Chip R, MCR03 22KΩ	C77	CU3035	Chip C, CM105W5R102K
R36	RK3042	Chip R, MCR03 2.2KΩ	R31	RK3054	Chip R, MCR03 22KΩ	C78	CU3035	Chip C, CM105W5R102K
R38	RK3038	Chip R, MCR03 1KΩ	R37	RK3054	Chip R, MCR03 22KΩ (E/ only)	C79	CU3005	Chip C, CM105CH040C
R39	RK3062	Chip R, MCR03 100KΩ	R92	RK3066	Chip R, MCR03 220KΩ	C80	CU3019	Chip C, CM105CH470K
R40	RK3026	Chip R, MCR03 100Ω	R95	RK3054	Chip R, MCR03 22KΩ	C81	CU3035	Chip C, CM105W5R102K
R41	RK3046	Chip R, MCR03 4.7KΩ	R96	RK3054	Chip R, MCR03 22KΩ	C82	CU3035	Chip C, CM105W5R102K
R42	RK3046	Chip R, MCR03 4.7KΩ	R97	RK3054	Chip R, MCR03 22KΩ	C83	CU3019	Chip C, CM105CH470K
R44	RK3062	Chip R, MCR03 100KΩ	R104	RK3054	Chip R, MCR03 22KΩ	C84	CU3035	Chip C, CM105W5R102K
R45	RK3014	Chip R, MCR03 10Ω	J19	RK1107	Chip R, MCR18 0Ω	C85	CU3005	Chip C, CM105CH040C
R46	RK3030	Chip R, MCR03 220Ω	R53	RK3027	Chip R, MCR03 120Ω (T/TW only)	C86	CU3013	Chip C, CM105CH150K
R49	RK3050	Chip R, MCR03 10KΩ	R61	RK3048	Chip R, MCR03 6.8KΩ (T/TW only)	C87	CU3035	Chip C, CM105W5R102K
R50	RK3056	Chip R, MCR03 33KΩ	R64	RK3027	Chip R, MCR03 120Ω	C88	CU3035	Chip C, CM105W5R102K
R51	RK3030	Chip R, MCR03 220Ω	RF Unit			C89	CU3006	Chip C, CM105CH050C (E only)
R52	RK3026	Chip R, MCR03 100Ω	C1	CU3002	Chip C, CM105CH010C	C89	CU3016	Chip C, CM105CH270K (T/TW only)
R53	RK3026	Chip R, MCR03 100Ω (E only)	C2	CU3013	Chip C, CM105CH150K	C90	CU3003	Chip C, CM105CH020C
R54	RK0106	Chip R, MCR10 3.3Ω	C4	CU3013	Chip C, CM105CH150K (E only)	C91	CU3035	Chip C, CM105W5R102K
R55	RK3038	Chip R, MCR03 1KΩ	C14	CU3035	Chip C, CM105W5R102K	C92	CU3035	Chip C, CM105W5R102K
R56	RK3034	Chip R, MCR03 470Ω	C17	CU3005	Chip C, CM105CH040C	C93	CU3016	Chip C, CM105CH270K
R57	RK3034	Chip R, MCR03 470Ω	C18	CU3004	Chip C, CM105CH030C	C94	CU3008	Chip C, CM105CH070C
R58	RK3034	Chip R, MCR03 470Ω	C19	CU3035	Chip C, CM105W5R102K	C95	CU3011	Chip C, CM105CH100K
R59	RK3026	Chip R, MCR03 100Ω	C20	CU3052	Chip C, CM105W5R103K	C96	CU3018	Chip C, CM105CH390K
R60	RK3046	Chip R, MCR03 4.7KΩ	C21	CU3052	Chip C, CM105W5R103K	C97	CU3016	Chip C, CM105CH270K
R61	RK3050	Chip R, MCR03 10KΩ (E only)	C22	CU3052	Chip C, CM105W5R103K	C98	CU3011	Chip C, CM105CH100K
R62	RK3064	Chip R, MCR03 150KΩ	C23	CU3052	Chip C, CM105W5R103K	C99	CU3035	Chip C, CM105W5R102K
R63	RK3034	Chip R, MCR03 470Ω	C24	CU3062	Chip C, CM105CH160K	C100	CU3019	Chip C, CM105CH470K
R64	RK3034	Chip R, MCR03 470Ω	C25	CU3025	Chip C, CM105CH151K	C101	CU3052	Chip C, CM105W5R103K
R65	RK3026	Chip R, MCR03 100Ω	C26	CU3023	Chip C, CM105CH101K	C102	CU3023	Chip C, CM105CH101K
R66	RK3046	Chip R, MCR03 4.7KΩ	C27	CU3006	Chip C, CM105CH050C	C103	CU3023	Chip C, CM105CH101K
R67	RK3046	Chip R, MCR03 4.7KΩ	C28	CU3015	Chip C, CM105CH220K	C104	CU3035	Chip C, CM105W5R102K
R68	RK3074	Chip R, MCR03 1MΩ	C29	CU3035	Chip C, CM105W5R102K	C105	CU3052	Chip C, CM105W5R103K
R69	RK3062	Chip R, MCR03 100KΩ	C30	CU3023	Chip C, CM105CH101K	C106	CU3035	Chip C, CM105W5R102K
R70	RK3018	Chip R, MCR03 22Ω	C31	CU3035	Chip C, CM105W5R102K	C108	CU3021	Chip C, CM105CH680K
R71	RK3026	Chip R, MCR03 100Ω	C33	CS0057	Chip Tantal, TMC0J225TR	C109	CU3023	Chip C, CM105CH101K
R72	RK3074	Chip R, MCR03 1MΩ	C34	CU3052	Chip C, CM105W5R103K	C111	CU3021	Chip C, CM105CH680K
R73	RK3074	Chip R, MCR03 1MΩ	C35	CS0057	Chip Tantal, TMC0J225TR	C112	CU3021	Chip C, CM105CH680K
R74	RK3050	Chip R, MCR03 10KΩ	C36	CU3052	Chip C, CM105W5R103K	C113	CU3003	Chip C, CM105CH020C
R75	RK3056	Chip R, MCR03 33KΩ	C37	CS0209	Chip Tantal, TMC0J106MTRB	C114	CU3035	Chip C, CM105W5R102K
R76	RK3026	Chip R, MCR03 100Ω	C38	CU3006	Chip C, CM105CH050C	C115	CU3001	Chip C, CM105CH0R5C
R77	RK3026	Chip R, MCR03 100Ω	C39	CS0063	Chip Tantal, TMC1V104TR	C116	CU3004	Chip C, CM105CH030C
R78	RK3034	Chip R, MCR03 470Ω	C40	CS0050	Chip Tantal, TMC1A475TR	C117	CU3003	Chip C, CM105CH020C
R79	RK3038	Chip R, MCR03 1KΩ	C41	CU3035	Chip C, CM105W5R102K	C118	CU3019	Chip C, CM105CH470K
R80	RK3038	Chip R, MCR03 1KΩ	C45	CU3006	Chip C, CM105CH050C	C119	CU3052	Chip C, CM105W5R103K
R81	RK3058	Chip R, MCR03 47KΩ	C46	CU3013	Chip C, CM105CH150K (E only)	C120	CU3052	Chip C, CM105W5R103K
R82	RK3030	Chip R, MCR03 220Ω	C46	CU3012	Chip C, CM105CH120K (T/TW only)	C121	CU3052	Chip C, CM105W5R103K
R83	RK3026	Chip R, MCR03 100Ω	C47	CU3035	Chip C, CM105W5R102K	C122	CU3015	Chip C, CM105CH220K
R86	RK3038	Chip R, MCR03 1KΩ	C48	CU3007	Chip C, CM105CH060C (T/TW only)	C123	CU3011	Chip C, CM105CH100K
R87	RK3034	Chip R, MCR03 470Ω	C48	CU3013	Chip C, CM105CH150K (E only)	C124	CU3035	Chip C, CM105W5R102K
R88	RK3034	Chip R, MCR03 470Ω	C49	CU3016	Chip C, CM105CH270K	C125	CE0032	Chemical C, 16V 4.7 μFMS5D=3
R89	RK3022	Chip R, MCR03 47Ω	C51	CU3011	Chip C, CM105CH100K	C126	CE0033	Chemical C, 10V 10μFMS5D=3
R90	RK3050	Chip R, MCR03 10KΩ	C52	CU3035	Chip C, CM105W5R102K	C128	CU3035	Chip C, CM105W5R102K
R91	RK3046	Chip R, MCR03 4.7KΩ	C53	CU3011	Chip C, CM105CH100K	C129	CE0033	Chemical C, 10V 10μFMS5D=3
R93	RK3026	Chip R, MCR03 100Ω	C54	CU3035	Chip C, CM105W5R102K	C130	CU3011	Chip C, CM105CH100K
R94	RK3038	Chip R, MCR03 1KΩ	C54	CU3012	Chip C, CM105CH120K	C131	CU3023	Chip C, CM105CH101K
R98	RK3050	Chip R, MCR03 10KΩ	C47	CU3035	Chip C, CM105W5R102K	C132	CU3011	Chip C, CM105CH100K
R99	RK3050	Chip R, MCR03 10KΩ	C48	CU3007	Chip C, CM105CH060C (T/TW only)	C133	CU3035	Chip C, CM105W5R102K
R100	RK3050	Chip R, MCR03 10KΩ	C53	CU3011	Chip C, CM105CH100K	C135	CU3052	Chip C, CM105W5R103K
R101	RK3026	Chip R, MCR03 100Ω						
R102	RK3026	Chip R, MCR03 100Ω						
R103	RK3014	Chip R, MCR03 10Ω						
R105	RK3042	Chip R, MCR03 2.2KΩ						
R106	RK3034	Chip R, MCR03 470Ω						

Ref. No.	Part Code	Part Name and Number	Ref. No.	Part Code	Part Name and Number	Ref. No.	Part Code	Part Name and Number
C136	CU3035	Chip C, CM105W5R102K						
C137	CU3035	Chip C, CM105W5R102K						
C138	CU3035	Chip C, CM105W5R102K						
C140	CU3005	Chip C, CM105CH040C						
C141	CU3052	Chip C, CM105W5R103K						
C142	CU3015	Chip C, CM105CH220K						
C143	CU3011	Chip C, CM105CH100K						
C144	CU3006	Chip C, CM105CH050C						
C145	CU3035	Chip C, CM105W5R102K						
C146	CU3052	Chip C, CM105W5R103K						
C147	CS0057	Chip Tantal, TMC0J225TR						
C148	CU3035	Chip C, CM105W5R102K						
C149	CS0057	Chip Tantal, TMC0J225TR						
C150	CU3052	Chip C, CM105W5R103K						
C151	CS0209	Chip Tantal, TMC0J106MTRB						
C152	CU3011	Chip C, CM105CH100K						
C153	CU3056	Chip C, CM105Y5V473Z						
C154	CS0209	Chip Tantal, TMC0J106MTRB						
C155	CS0063	Chip Tantal, TMC1V104TR						
C156	CU3035	Chip C, CM105W5R102K						
C157	CS0063	Chip Tantal, TMC1V104TR						
C158	CU3035	Chip C, CM105W5R102K						
C159	CU3019	Chip C, CM105CH470K						
C160	CE0032	Chemical C, 16V 4.7 μ FMS50=3						
C165	CU3052	Chip C, CM105W5R103K						
C166	CU3007	Chip C, CM105CH060C						
C167	CU3035	Chip C, CM105W5R102K						
C168	CU3015	Chip C, CM105CH220K						
C169	CU3035	Chip C, CM105W5R102K						
C170	CU3052	Chip C, CM105W5R103K						
C171	CU3059	Chip C, CM105Y5V104Z						
C173	CU3023	Chip C, CM105CH101K						
C174	CU3023	Chip C, CM105CH101K						
C175	CU3035	Chip C, CM105W5R102K						
C176	CU3035	Chip C, CM105W5R102K						
C177	CU3035	Chip C, CM105W5R102K						
C178	CU3035	Chip C, CM105W5R102K						
C179	CU3031	Chip C, CM105W5R471K						
C180	CU3031	Chip C, CM105W5R471K						
C181	CU3035	Chip C, CM105W5R102K						
C182	CU3035	Chip C, CM105W5R102K						
C183	CU3006	Chip C, CM105CH050C						
X1	XQ0022	UM-1 12.8MHz						
XF1	XF0007	X'tal Filter, 58.125MHz UM-1						
XF2	XF0003	X'tal Filter, 55.05MHz (55M15B1)						
CN5	UE0105 UE0029A	FPC Connector, 52030-2010 Antenna Connector,						
S1	US0015	Slide Switch, HSW0880-01-210						
CN2	UE0039	Housing, TZL-P02P-A1						
CN3	UE0039	Housing, TZL-P02P-A1						
CN4	UE0107	Housing, TZL-P07P-A1						
JK1	UJ0017	MIC Jack, HSJ2079-01-010						
JK2	UJ0016	Jack, HSJ1423-01-050						
	TS0041	RF Shield						
	TS0046	PM Earth Board						
	AZ0026	Insulate Spacer, 3.2-6-0.3						
	YZ0001	Silicon Grease						

■ CABINET PARTS LOCATION

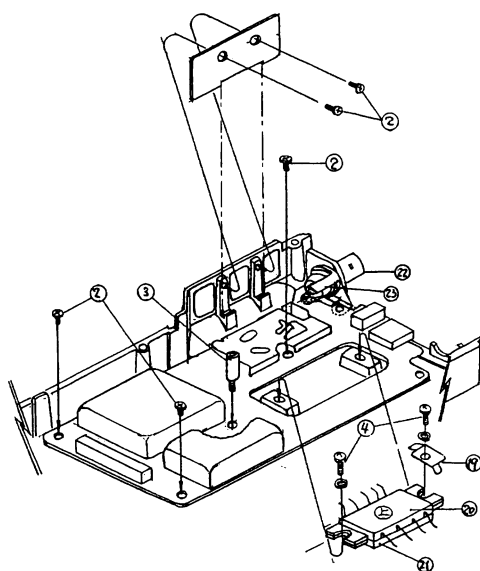
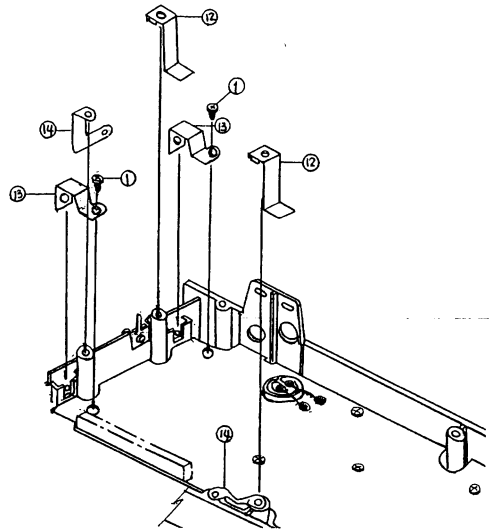
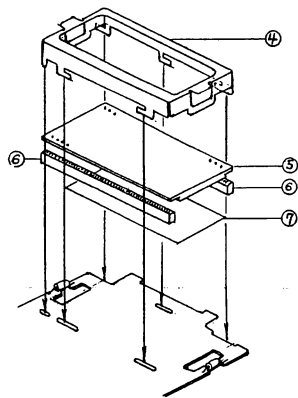
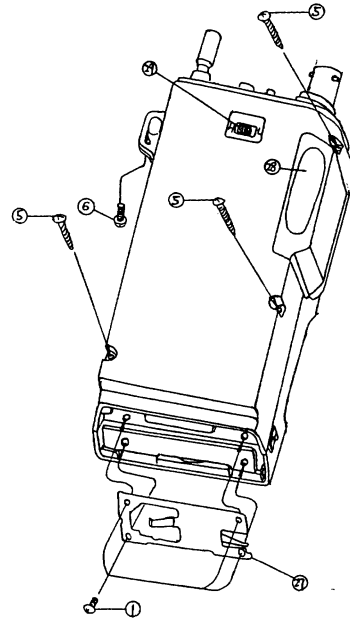
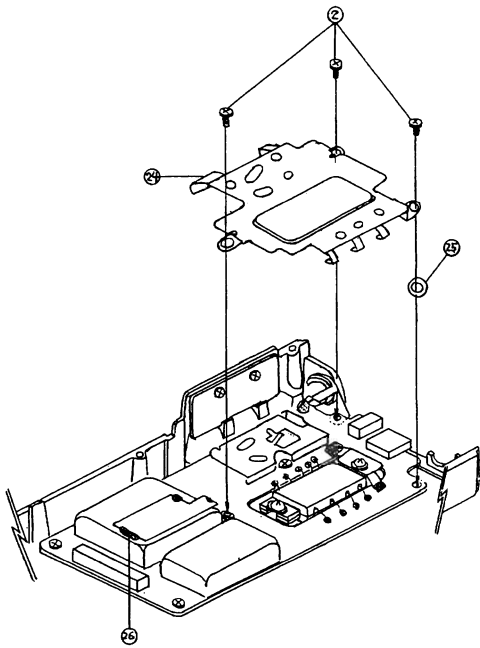


Ref. No.	Part Code	Part Name and Number
Mechanical Parts		
1	DV0003	SP Metal Nut
2	TG0006	Speaker Sheet
3	KM0060	Front Case
4	ST0023	LCD Flame
5	EL0011	LCD Panel
6	FG0053	Rubber Connector
7	DH0005	Reflection Board
8	ST0020	Speaker Stabilizer
9	ES0005	Speaker
10	UT0022	Terminal(+)
11	FG0049	Silicon Key
12	TS0045	IF Earth Board
13	TS0043	Terminal Earth Board
14	TS0051	IF Diecast Earth Board
15	TS0044	Vol Earth Board
16	NB0027	Release Knob
17	FG0052	DC Rubber
18	TS0050	IF Spring

Ref. No.	Part Code	Part Name and Number
19	TS0046	PM Earth Board
20	XA0044	VHF Power Module
21	XA0069	UHF Power Module
22	UE0029A	Antenna Connector
23	TS0047	Antenna Earth 560
24	TS0040	RF Shield A
25	AZ0026	Insulate Spacer
26	TS0053	VCO Shield
27	UT0021	Terminal(-)
28	DD0006	PTT Cover
29	NS0002	H/L Knob
30	NK0019	Volume Knob
31	NW0004	Squelch Knob
32	NK0018	Dial Knob
33	KU0071	Upper Panel
34	FG0051	MIC Rubber
35	DP0042	Acryl Panel
36	YZ0068	Panel Tape
37	YZ0056	Panel Tape A

Screws		
1	AF0013	M2+4
2	AF0014	M2.6+3.5
3	SA0007	Support
4	AB0001	M2.6+8
5	AP0003	Self Tapping M2+16
6	AA0034	M2+5
7	AN0012	Dial Nut

(K003) Rear Case



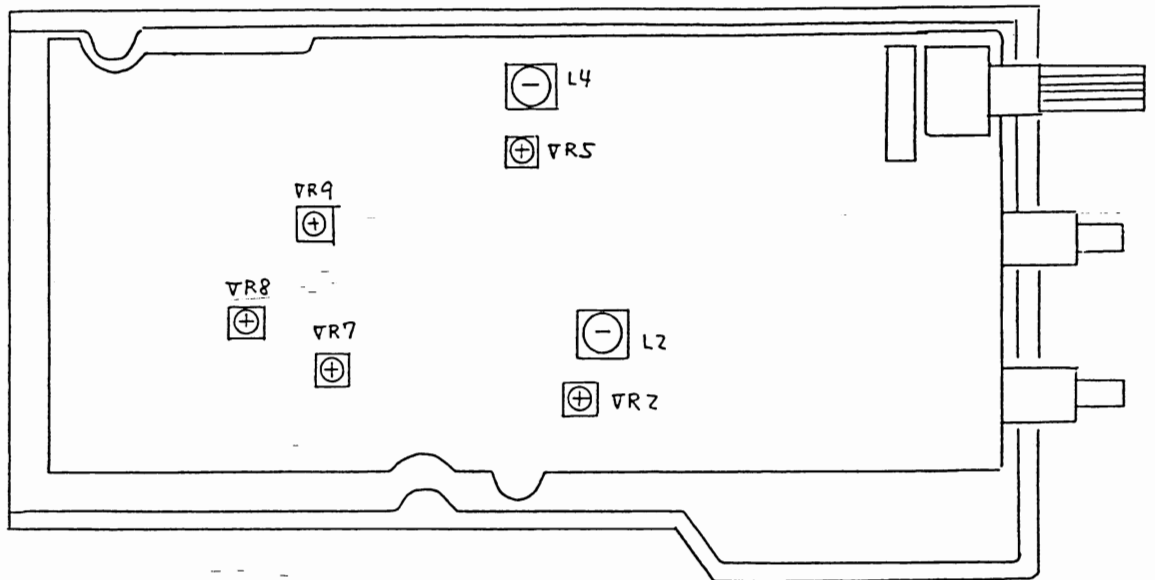
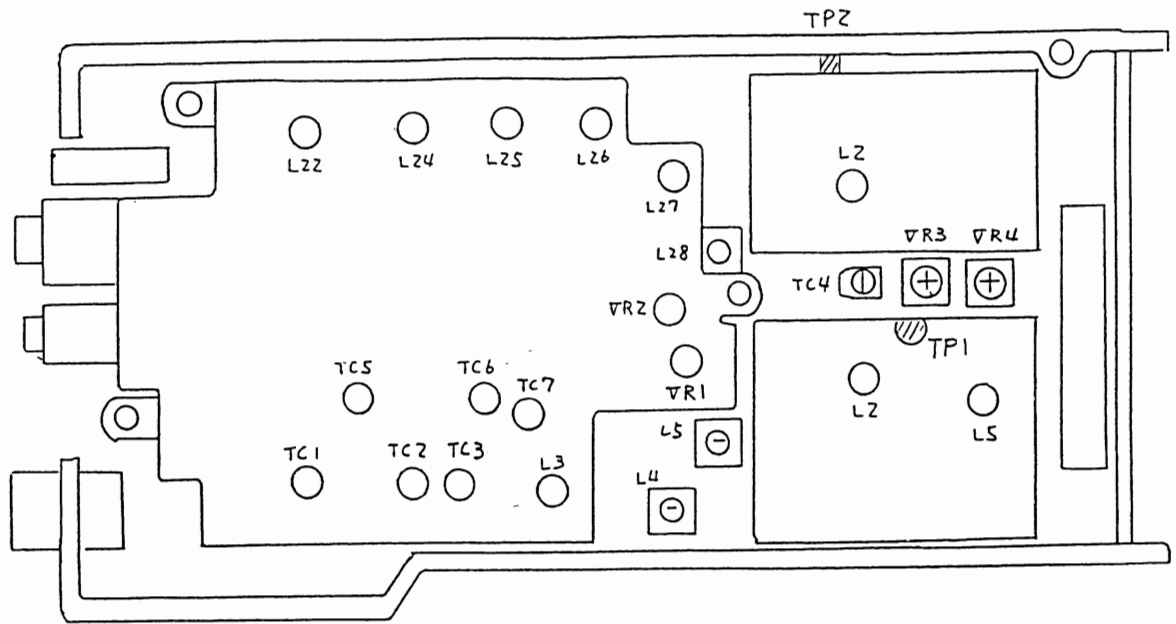
■ ADJUSTMENT (DJ-560T/E)

■ VHF

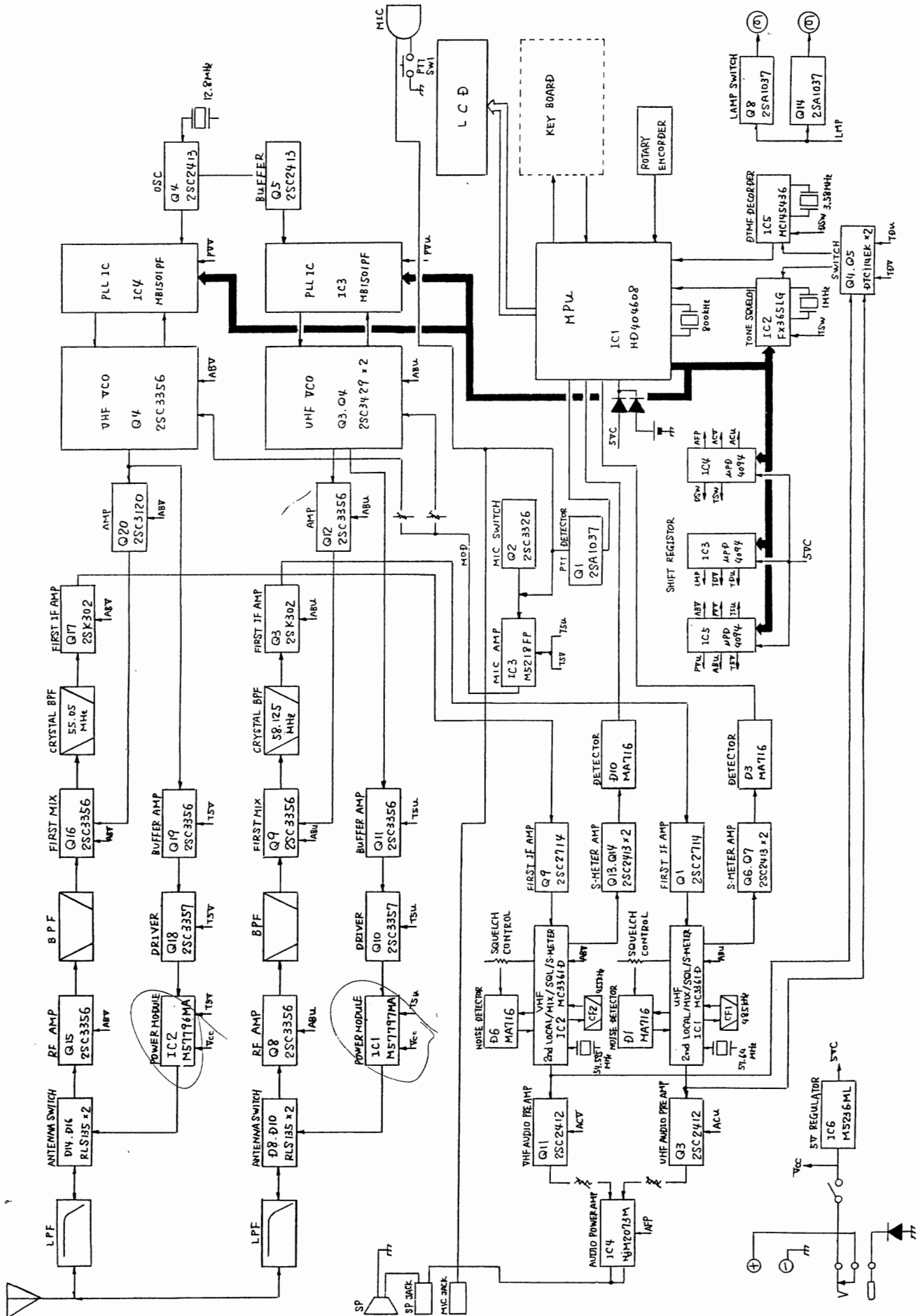
Item	Adjustment point(s)	Adjustment method
VCO Voltage	L2 (VCO Board)	Receive at 145.00MHz, then adjust L2 on VCO board so that the voltage of TP2 on RF board is 1.9V.
Output Power	* Hi Power VR2 (RF Board)	Transmit at 144.95MHz, then adjust VR2 on RF board so that the output power is 3.2W.
	* Low Power Verification only	Transmit at 144.95MHz on the Low power, then verify that the output power is 0.1W to 1W.
Deviation	VR4 (RF Board)	Transmit at 144.95MHz and enter the microphone input of -26dBm, then adjust VR4 on RF board so that the deviation is 4.2kHz.
	Verification only	Enter the microphone input of -45dBm/1kHz, then verify that the deviation is 3.5kHz ± 0.5kHz.
Signal to Noise Ratio	Verification only	Enter the microphone input of 3.5kHz/dev/1kHz, then verify that transmit S/N is 35dB or over.
DTMF Deviation	Verification only	Turn off the modulation output power of the signal generator and at 144.95MHz press the key pad 1, then verify the deviation is 3.1kHz ± 0.4kHz.
Subaudible Tone Deviation (T, TW)	VR9 (IF Board)	Turn off the modulation output power of the signal generator at 144.95MHz, transmit 88.5Hz tone, then adjust VR9 on IF board so that the deviation is 800kHz.
1,750kHz Tone Deviation (E)	VR9 (IF Board)	Turn off the modulation output power of the signal generator and at 144.95MHz, pressing the Tone Burst Switch on Switch board, transmit then adjust VR9 on IF board so that the deviation is 3.5kHz.
Transmitting Range	Verification only	On Hi power, transmit at the following frequencies and verify the output power as follows; 0.1W or over at 135.00MHz 0.1W or over at 169.99MHz.
Detection Coil	L4 (IF Board)	At 145.03MHz, enter +66dB μ /1kHz/3.5kHzDev of signal generator, then adjust L4 on IF board so that the detection output power is at its maximum.
Front End	L22, L24, L25, L26, L27, L28 (RF Board)	At 145.03MHz, adjust L22, L24, L25, L26, L27, and L28 so that 12dB SINAD sensitivity is at its maximum.
S meter	VR5 (IF Board)	At 145.03MHz, enter a signal of +10dB of signal generator, then adjust VR5 on IF board so that FULL in the S meter starts lighting.
Total Distortion	Verification only	At 145.03MHz enter a signal of +66dB μ /1kHz/3.5kHzDev of signal generator, then verify that the distortion at 0dBm output is 5% or under.
Total Signal to Noise Ratio	Verification only	At 145.03MHz, enter a signal of +66dB μ /1kHz/3.5kHzDev of signal generator, then verify that the S/N is 35dB or over.
Squelch	Verification only	<ol style="list-style-type: none"> 1. Turn off the output power of signal generator and rotating the squelch knob of VHF, verify that the noise disappears at the position between 8:30 and 12 o'clock of the knob. 2. Turn the squelch knob until the noise just disappears, then verify that squelch will open at 145.03MHz and -10dB. 3. Rotate the squelch knob fully clockwise, then changing the output power of signal generator, verify that the squelch will open at -8 — +2dB.
Receiving Range	Verification only	Enter a signal of +66dB μ /1kHz/3.5kHzDev of signal generator, then verify that the unit can receive at 130.00MHz and 169.00MHz.
Transmitting Spurious	Verification only	At 144.95MHz, verify that the transmit spurious is -60dBc or under on Hi power and -50dBc or under on Low power.

■ UHF

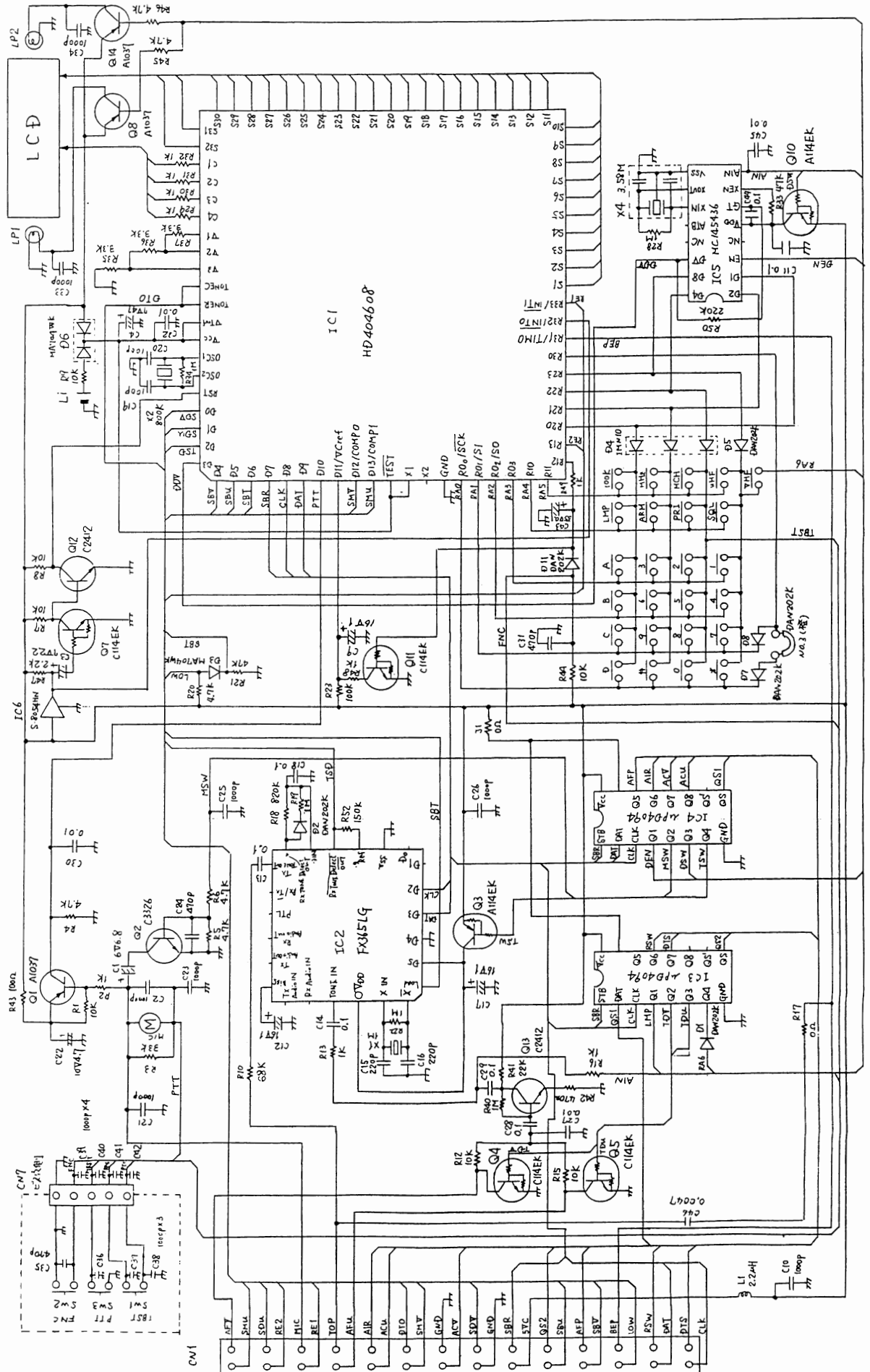
Item	Adjustment point(s)	Adjustment method
VCO Voltage	L5 (U-VCO Board)	1. Transmit at 430.00MHz(E) or 440.00MHz(T, TW) on Low power, then adjust L5 on U-VCO board so that the voltage of TP1 on U-VCO board is 0.6 — 1.0V(E) or 0.9 — 1.1V(T, TW).
	L2 (U-VCO Board)	2. Receive at 430.00MHz(E) or 440.00MHz(T, TW), then adjust L2 on U-VCO board so that the voltage of TP1 is 0.2 — 0.3V(E) or 1.0V(T, TW).
Basic Frequency	TC4 (RF Board)	Select UHF as the main band and transmit at 434.95MHz(E) or 444.95MHz(T, TW), then adjust TC4 on RF board so that the frequency is 434.95MHz + 50Hz(E) or 444.95MHz + 50Hz(T, TW).
Output Power	*Hi Power VR1 (RF Board)	Transmit at 434.95MHz(E) or 444.95MHz(T, TW), then adjust VR1 on RF board so that the output power is 3.2W. Verify that RF meter is full.
	*Low Power Verification only	Transmit at 434.95MHz(E) or 444.95MHz(T, TW) on Low Power, then verify the output power is 0.1 — 1W. Verify that 5 in the RF meter lights up.
Deviation	VR3 (RF Board)	Transmit at 434.95MHz(E) or 444.95MHz(T, TW) and enter the microphone input of -26dBm/1kHz, then adjust VR3 on RF board so that the deviation is 4.2kHz.
	Verification only	Enter the microphone input of -45dBm/1kHz, then verify the deviation is 3.5kHz ± 0.5kHz.
Signal to Noise Ratio	Verification only	Enter the microphone input of 3.5kHz/dev/1kHz, then verify that transmit signal noise is 35dB or over.
DTMF Deviation	VR8 (IF Board)	Turn off the modulation output of the signal generator and transmitting at 434.95MHz(E) or 444.95MHz(T, TW) and press the key pad 1, then adjust VR8 on IF board so that the deviation 3.1kHz.
Subaudible Tone Deviation (T, TW)	VR7 (IF Board)	Turn off the modulation output of the signal generator and transmit a tone of 88.5Hz, then adjust VR7 on IF board so that the deviation is 800Hz.
1,750Hz Tone Deviation (E)	VR7 (IF Board)	Turn off the modulation output of the signal generator and at 434.95MHz, press the tone burst switch on Switch board to transmit, then adjust VR7 on IF board so that the deviation is 3.5kHz.
Transmitting Range	Verification only	On Hi power, transmit at the following frequencies and verify the output power as follows; 2.3W or over at 428.00MHz 2.3W or over at 440.00MHz 0.1W or over at 465.00MHz
Detection Coil	L2 (IF Board)	At 435.03MHz(E) or 445.03MHz(T, TW), enter +66dBμ/1kHz/3.5kHzDev of signal generator, then adjust L2 on IF board so that the detection output power is at its maximum.
Front End	TC5, TC6, TC7, L3, L4, L5 (RF Board)	At 435.03MHz(E) or 445.03MHz(T, TW), adjust TC5, TC6, TC7, L3, L4, and L5 on RF board so that 12dB SINAD sensitivity is at its maximum.
S meter	VR2 (IF Board)	At 435.03MHz(E) or 445.03MHz(T, TW), enter a signal of +13dB of signal generator, then adjust VR2 on IF board so that FULL in the S meter starts lighting.
Total Distortion	Verification only	At 435.03MHz(E) or 445.03MHz(T, TW), enter a signal of +66dBμ/1kHz/3.5kHzDev of signal generator, then verify that the distortion ratio is 5% or less at 0dBm.
Total Signal to Noise Ratio	Verification only	At 435.03MHz(E) or 445.03MHz(T, TW), enter a signal of +66dBμ/1kHz/3.5kHzDev of signal generator, then verify that the S/N is 35dB or over.
Maximum Output Power	Verification only	At 435.03MHz(E) or 445.03MHz(T, TW), enter a signal of +66dBμ/1kHz/3.5kHzDev of signal generator, then verify that the output power is 4dBm(190mW) or over.
Squelch	Verification only	1. Turn off the output power of signal generator and rotating squelch knob of UHF, verify that the noise disappears at the position between 8:30 and 12 o'clock of the knob. 2. Turn the squelch knob until the noise just disappears, then verify that squelch will open at 435.03MHz(E) or 445.03MHz(T, TW) and -10dB of signal generator. 3. Rotate squelch knob fully clockwise, then changing the output power of signal generator, verify that the squelch will open at -6dB ± 4dB.
Receiving Range	Verification only	Enter a signal of +66dBμ/1kHz/3.5kHzDev of signal generator, then verify that the unit can receive at 428.00MHz and 469.99MHz.
Transmitting Spurious		At 434.95MHz, 429.95MHz, and 439.95MHz(E) or 444.95MHz, 439.95MHz, and 449.95MHz(T, TW), verify that the transmitting spurious is -60dBc or under on Hi power and -50dBc or under on Low power.



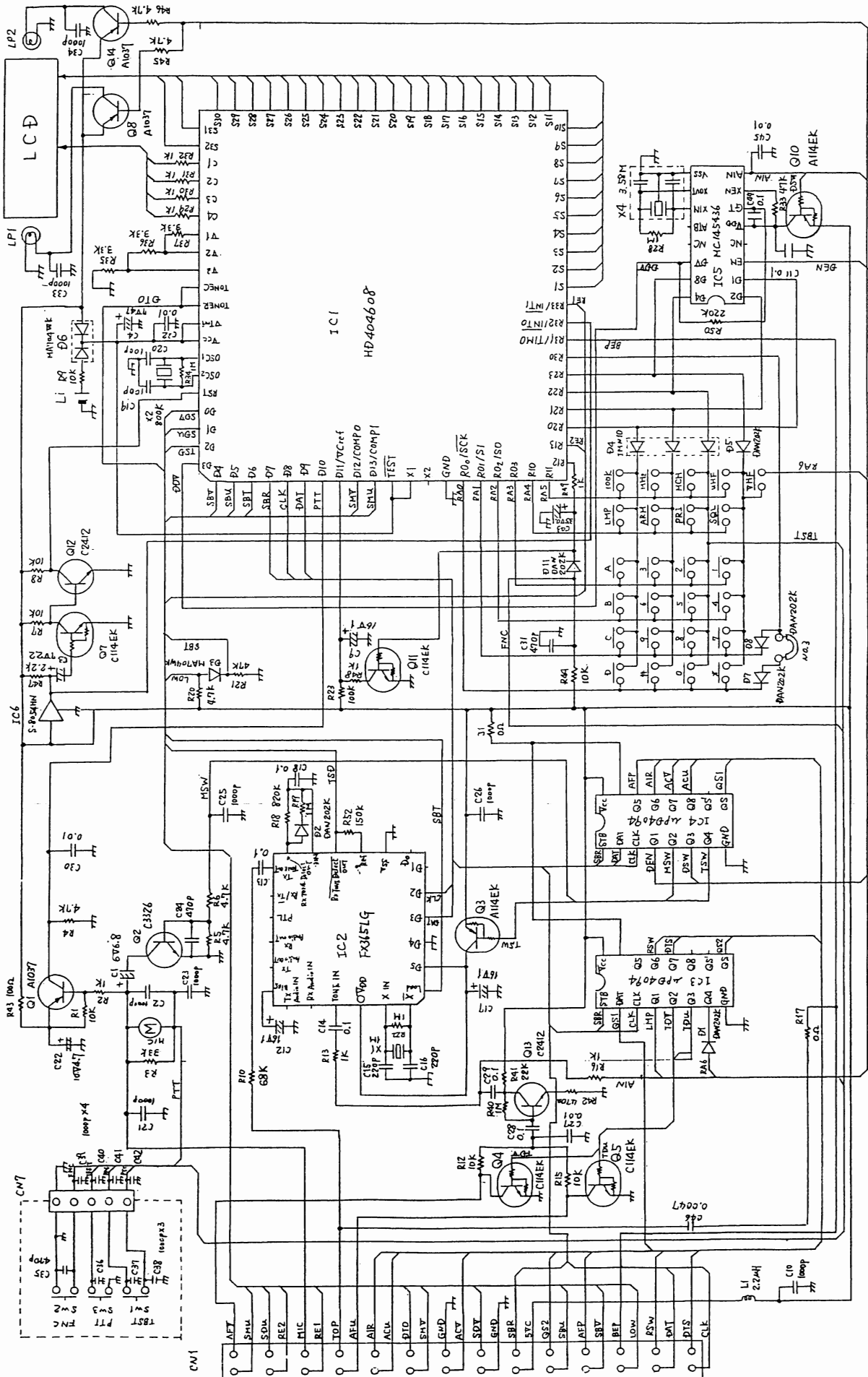
■ BLOCK DIAGRAM (DJ-560T/E)



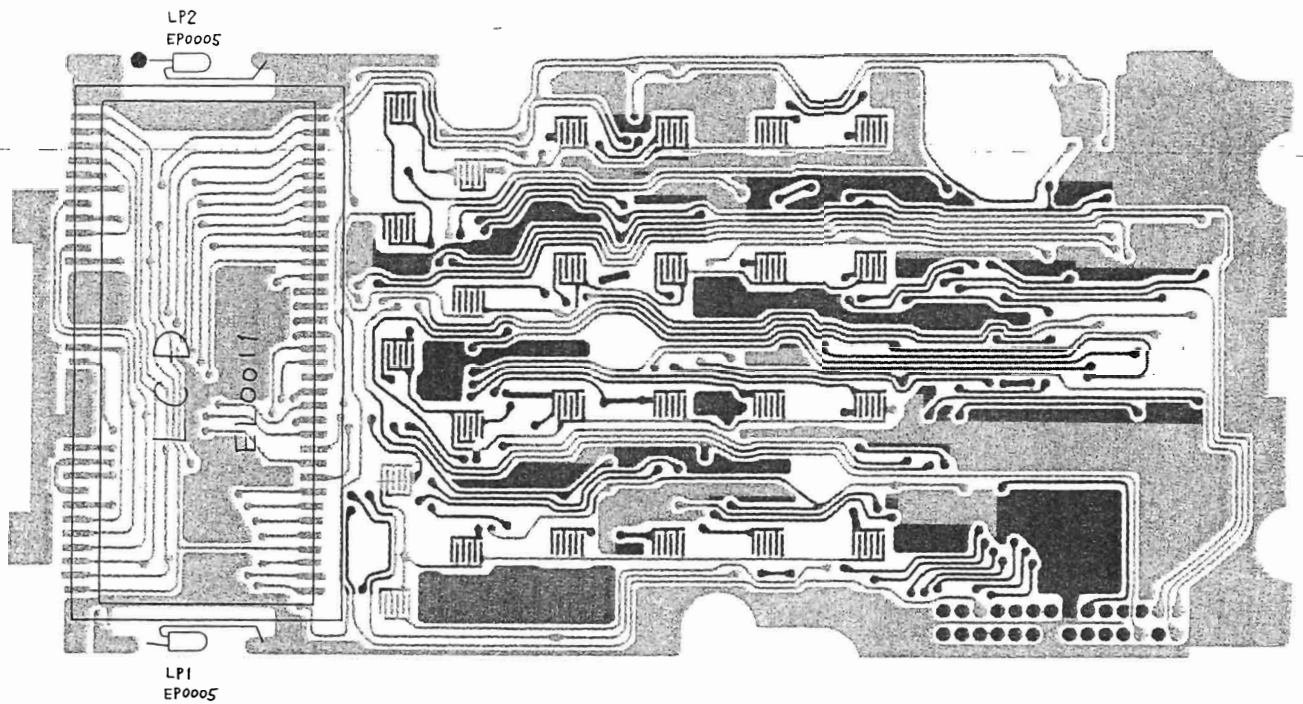
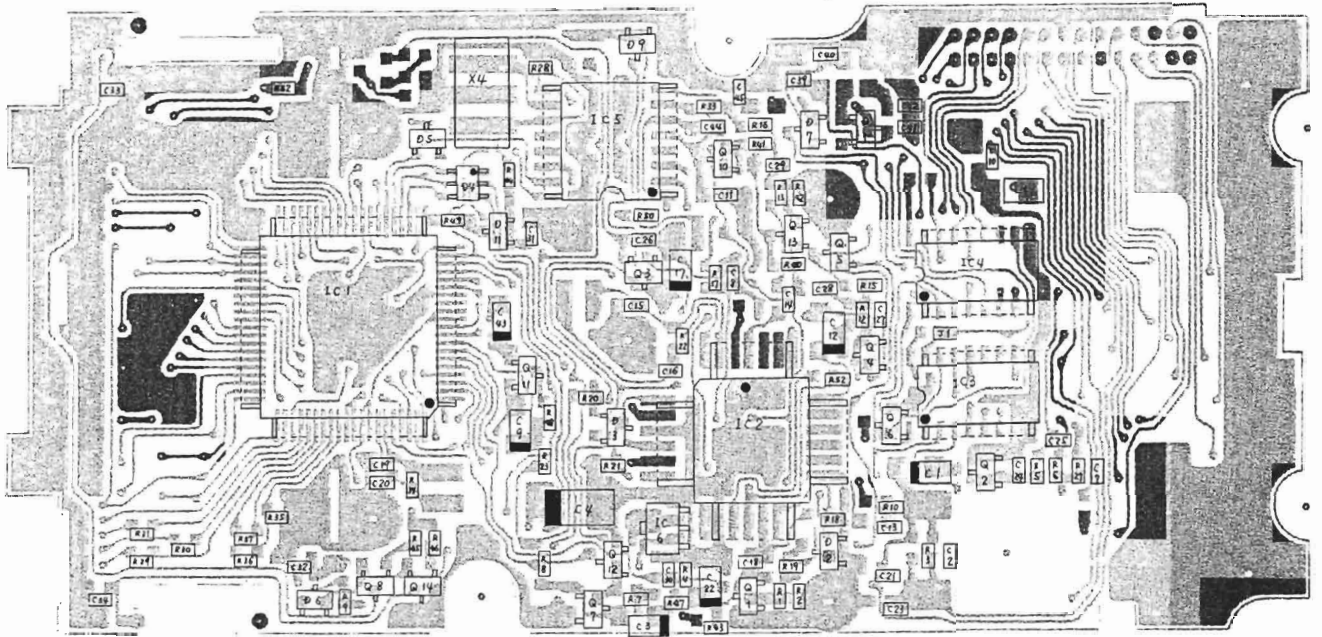
SCHEMATIC DIAGRAM OF CPU UNIT (DJ-560T)

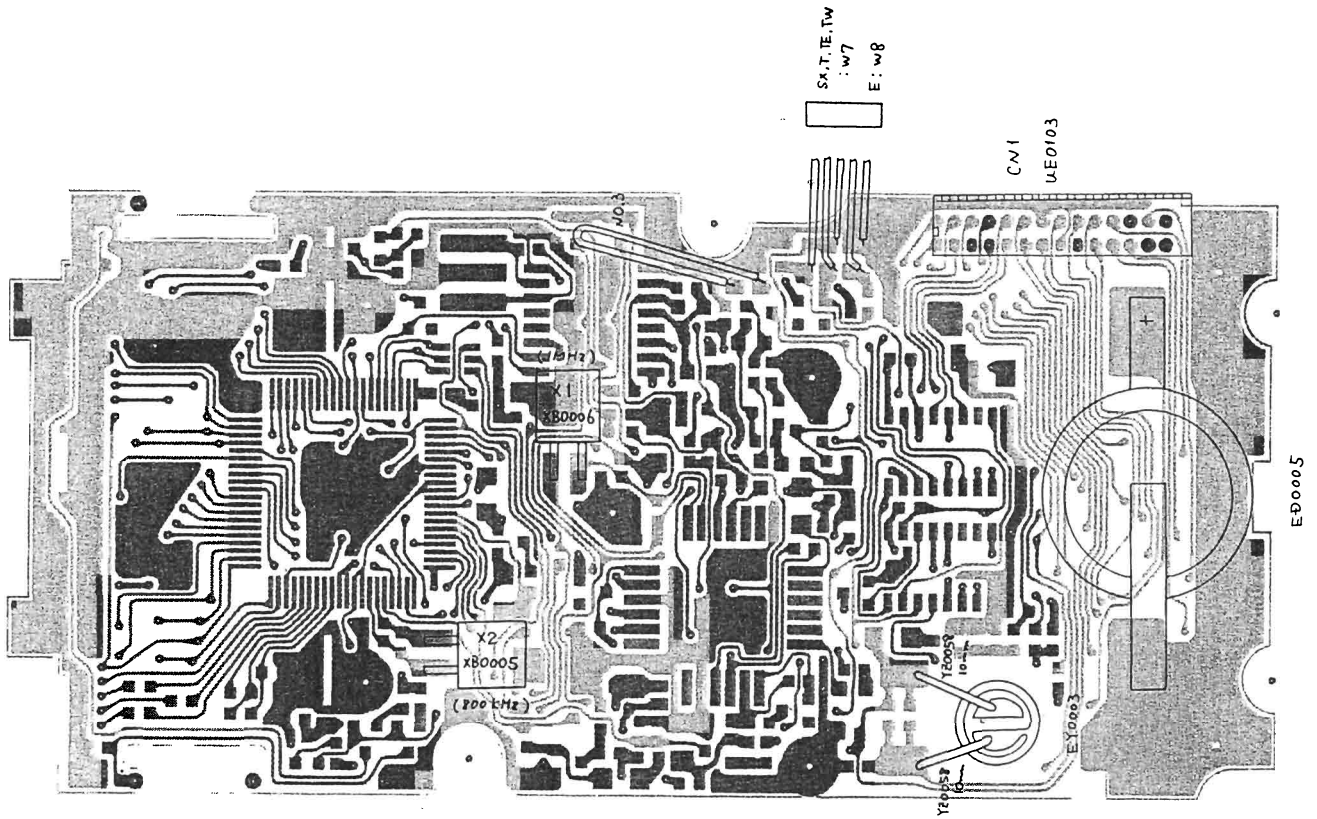


SCHEMATIC DIAGRAM OF CPU UNIT (DJ-560E)

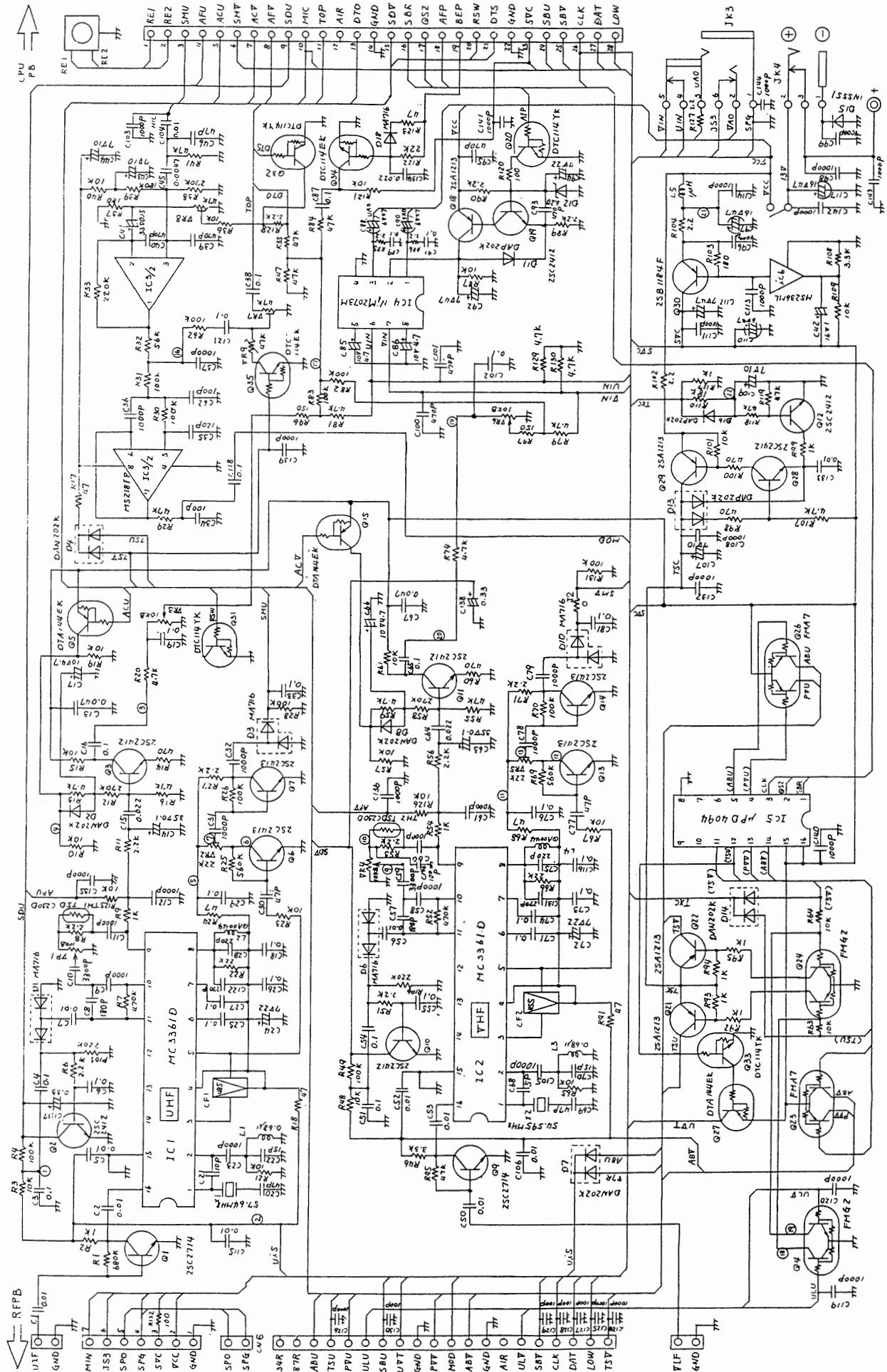


■ CPU PC BOARDS (DJ-560T/E)

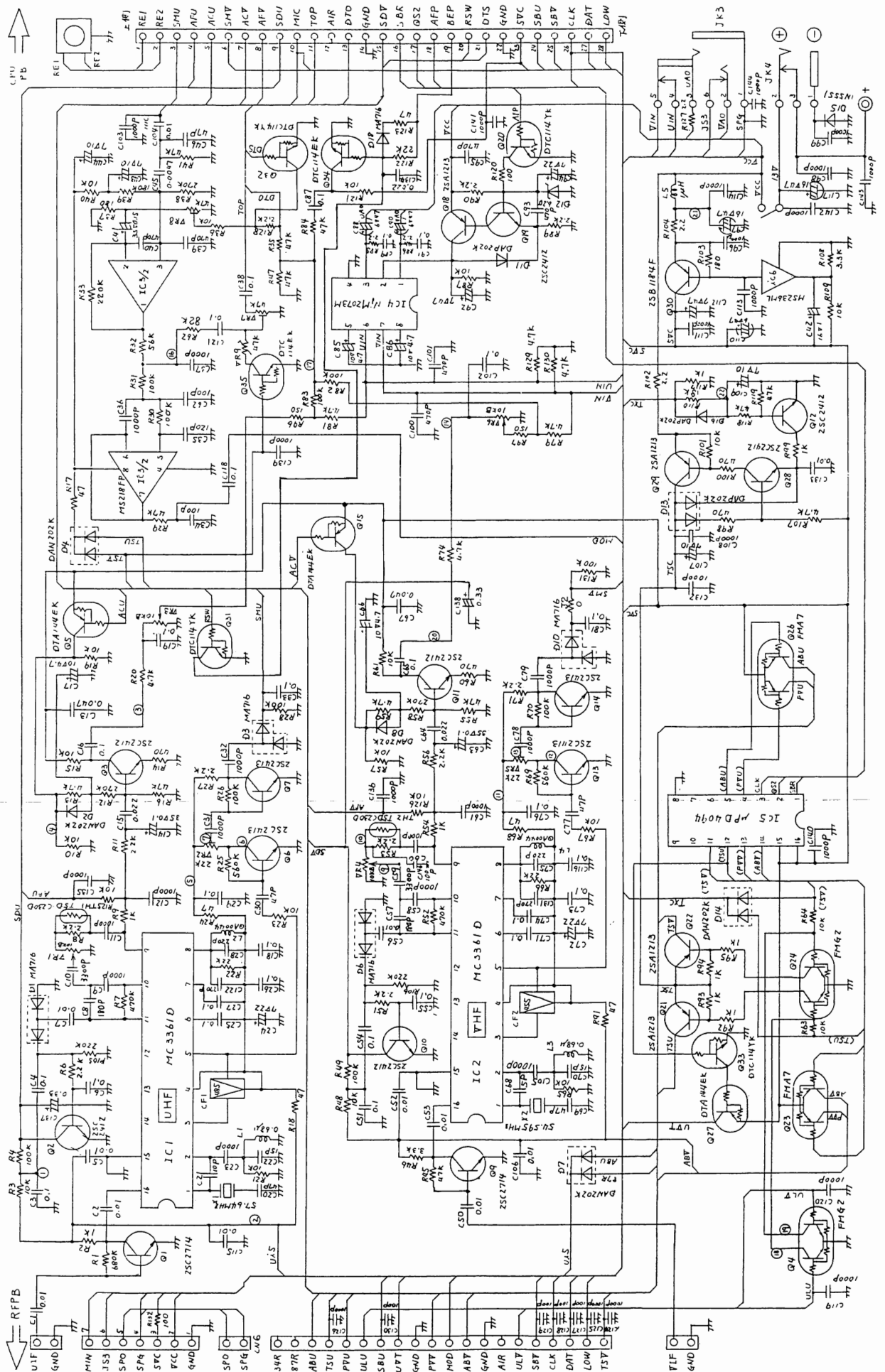




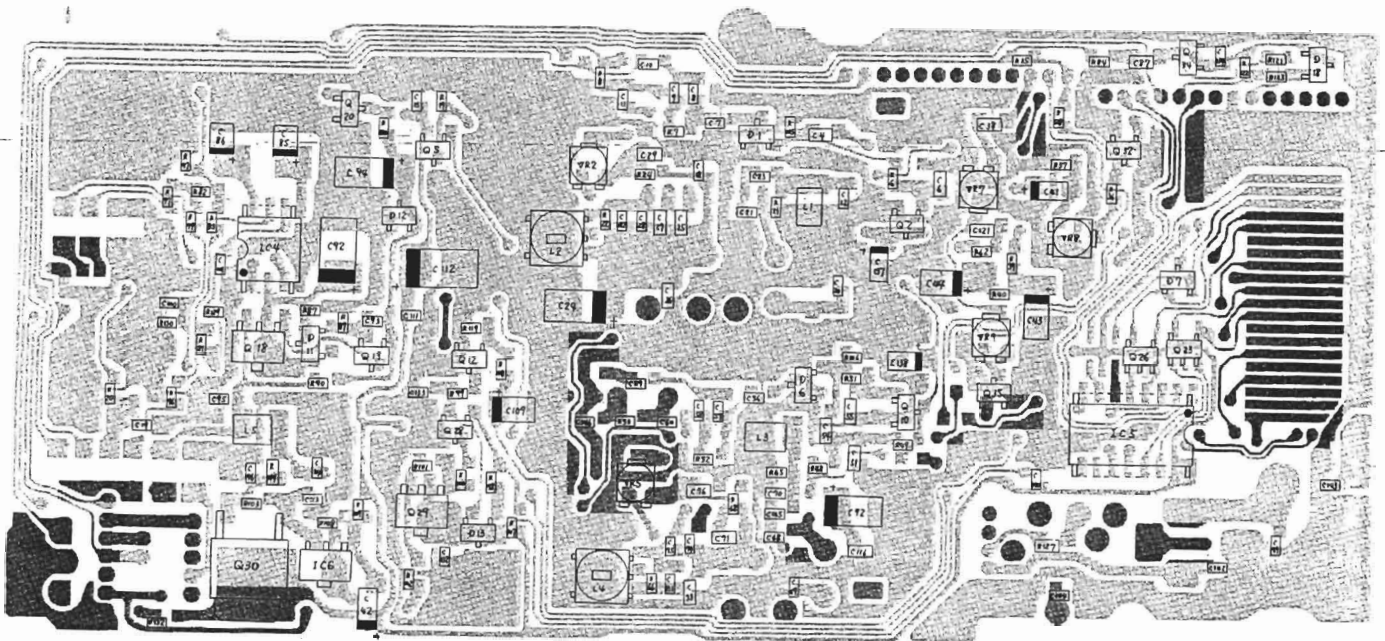
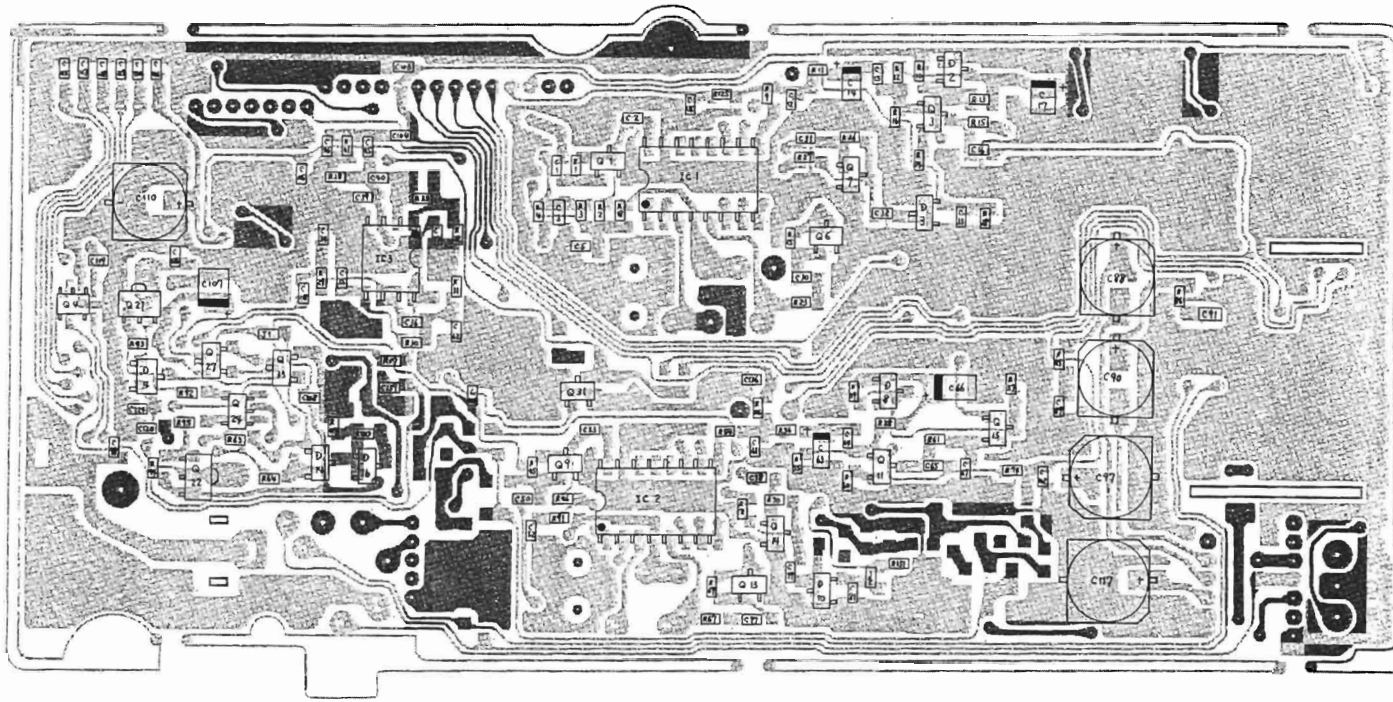
SCHEMATIC DIAGRAM OF IF UNIT (DJ-560T)

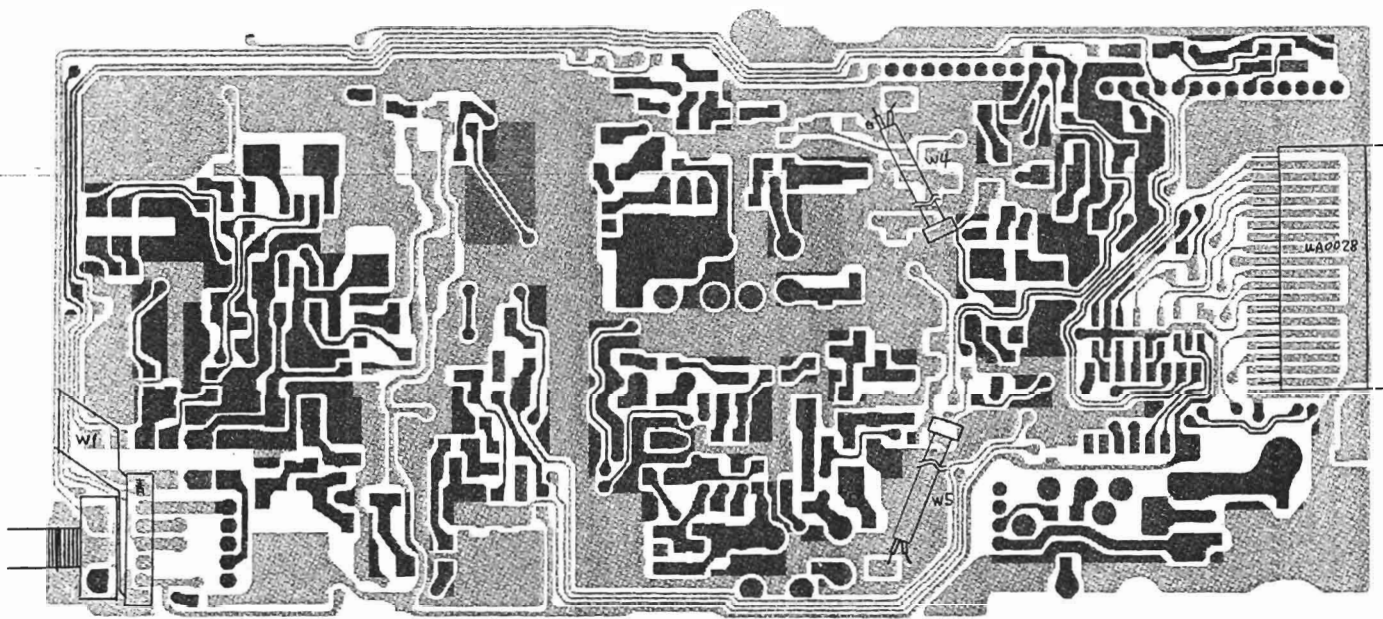
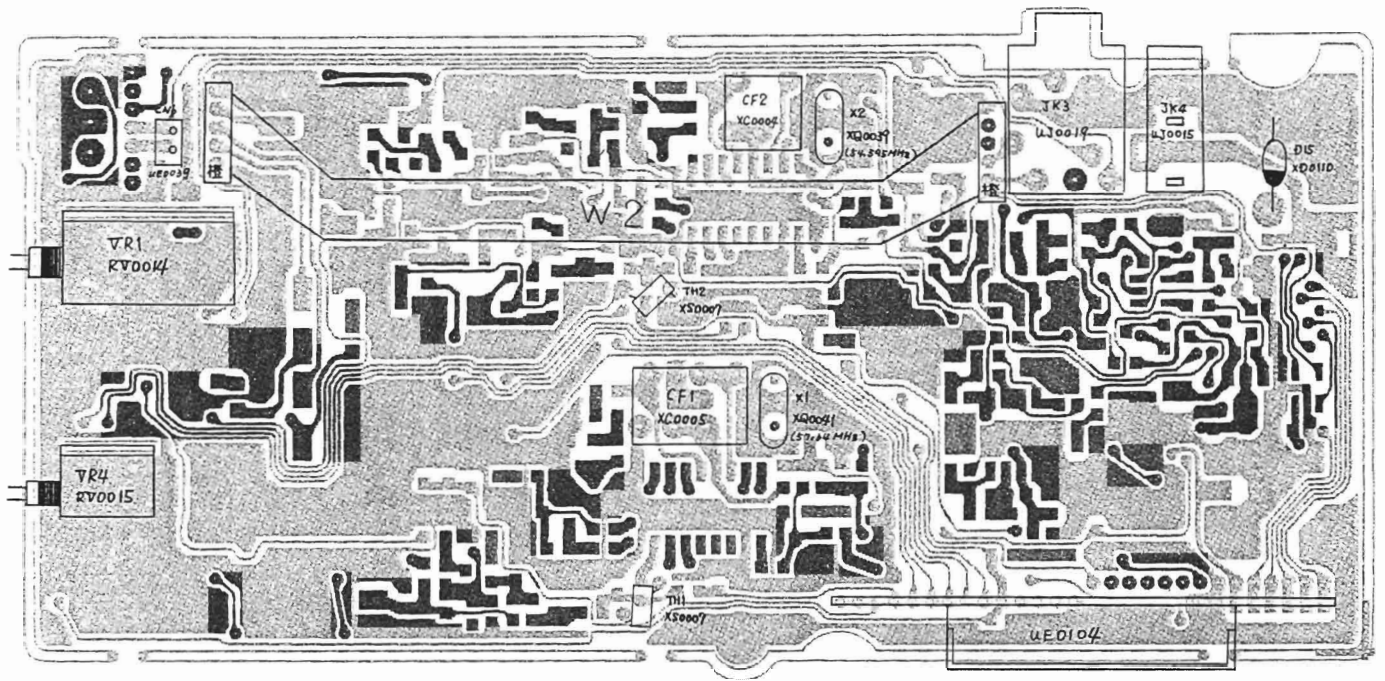


SCHEMATIC DIAGRAM OF IF UNIT (DJ-560E)

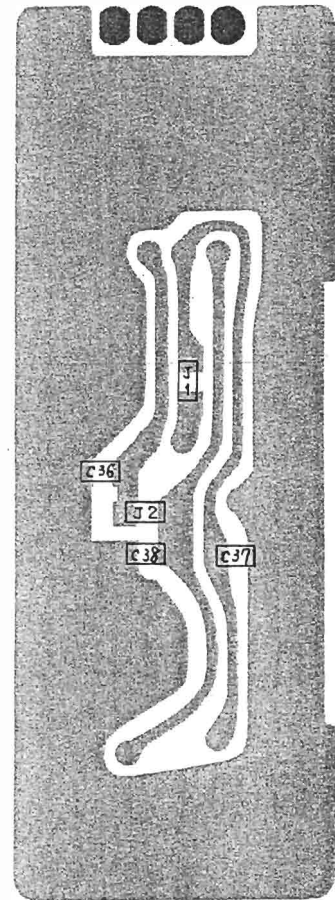
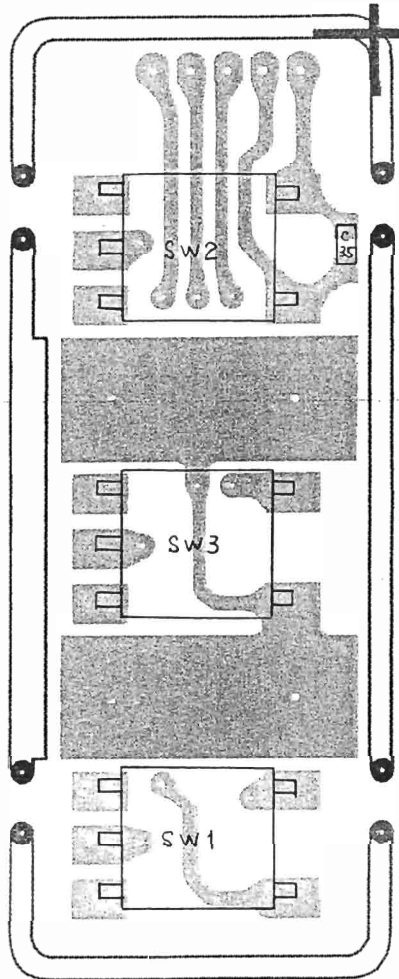
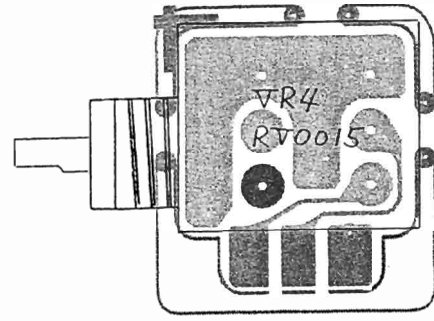
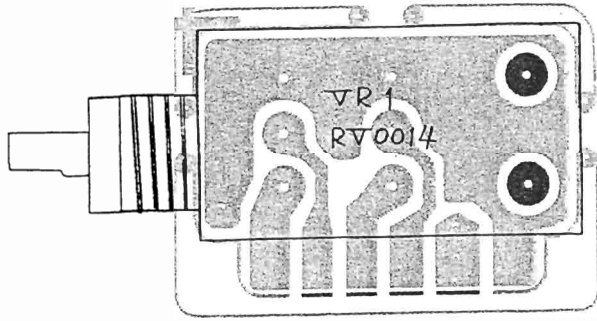


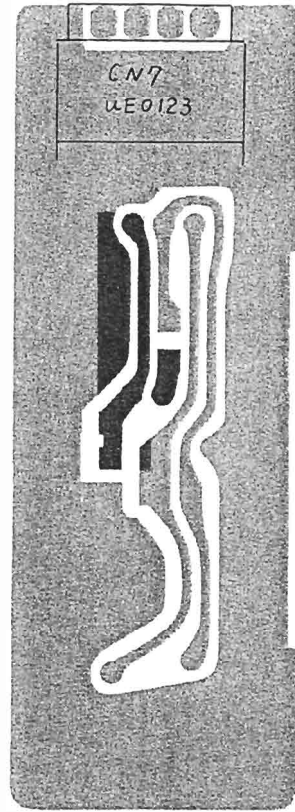
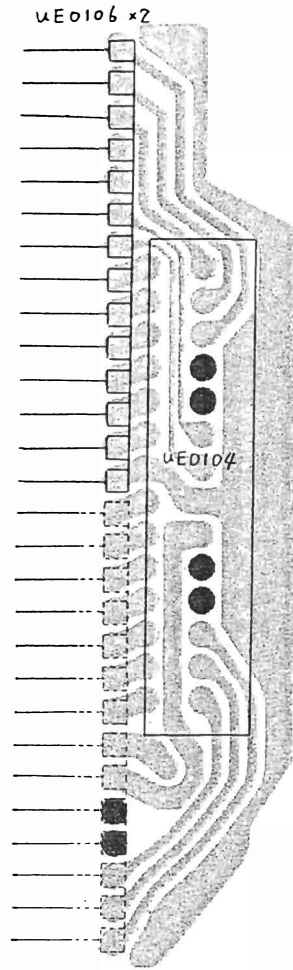
■ IF PC BOARDS (DJ-560T/E)



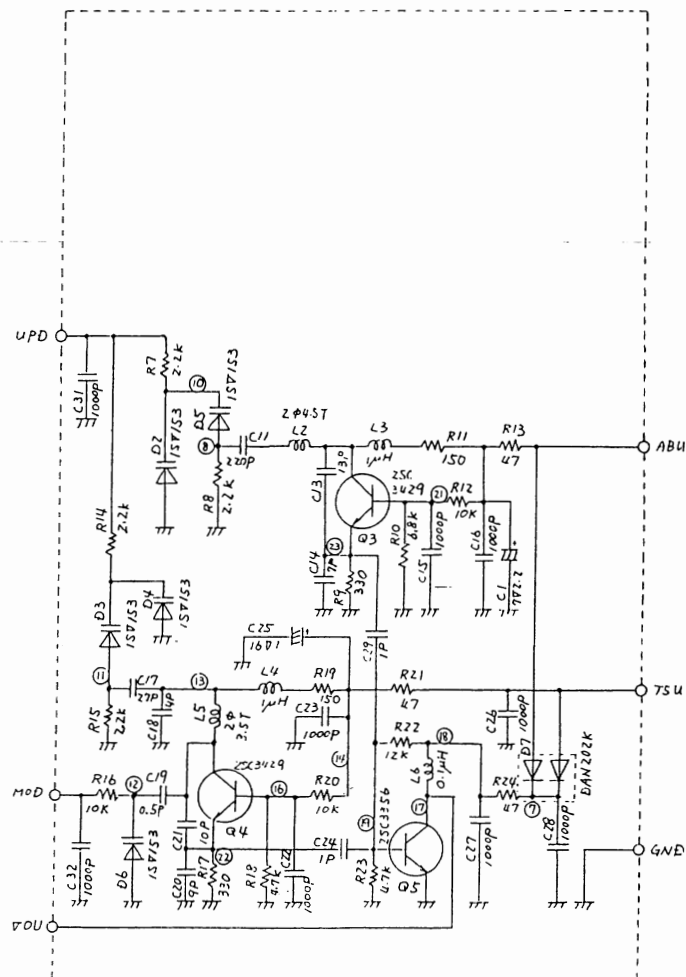
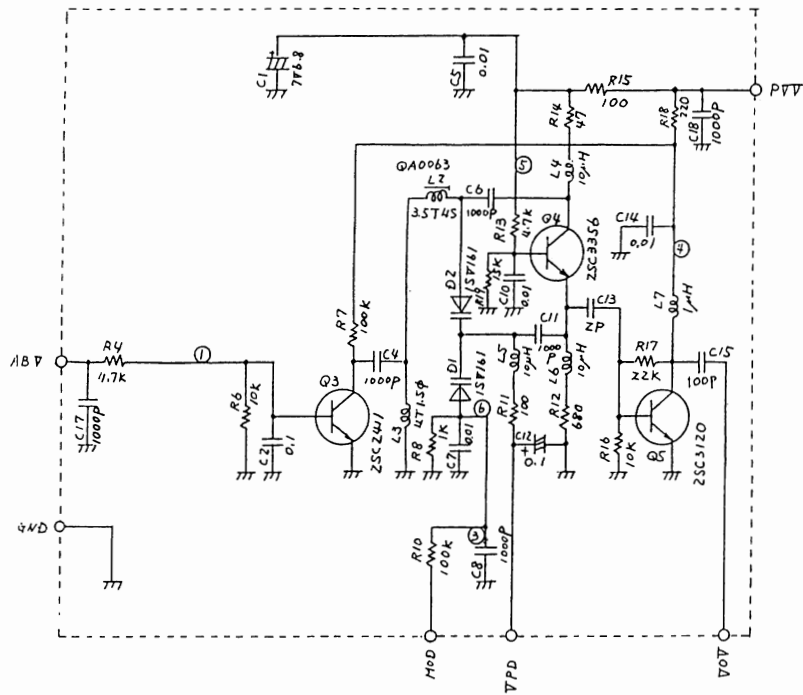


uR0005

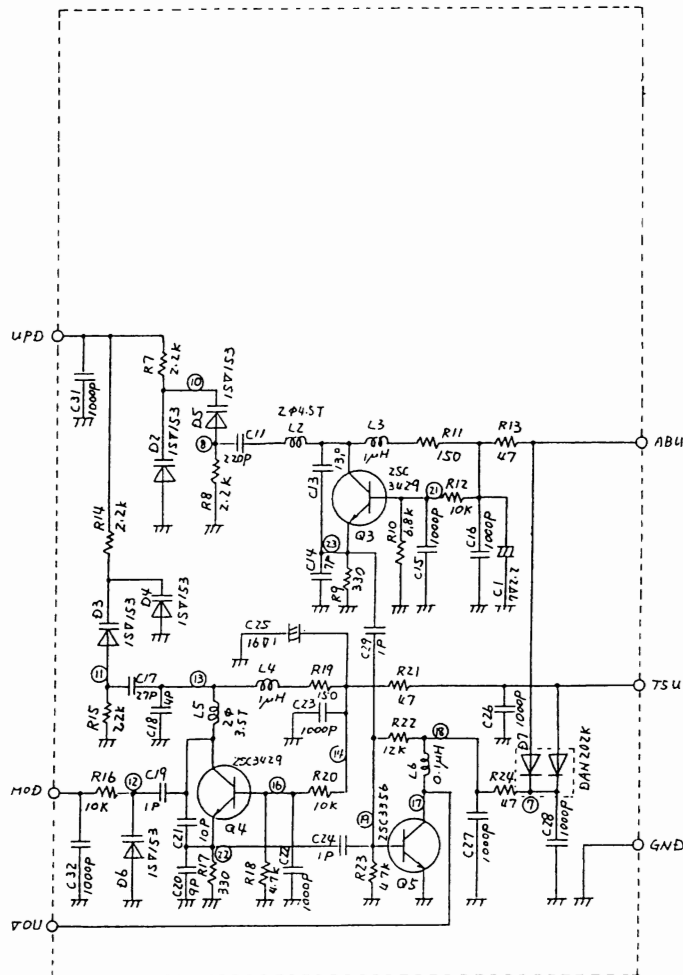
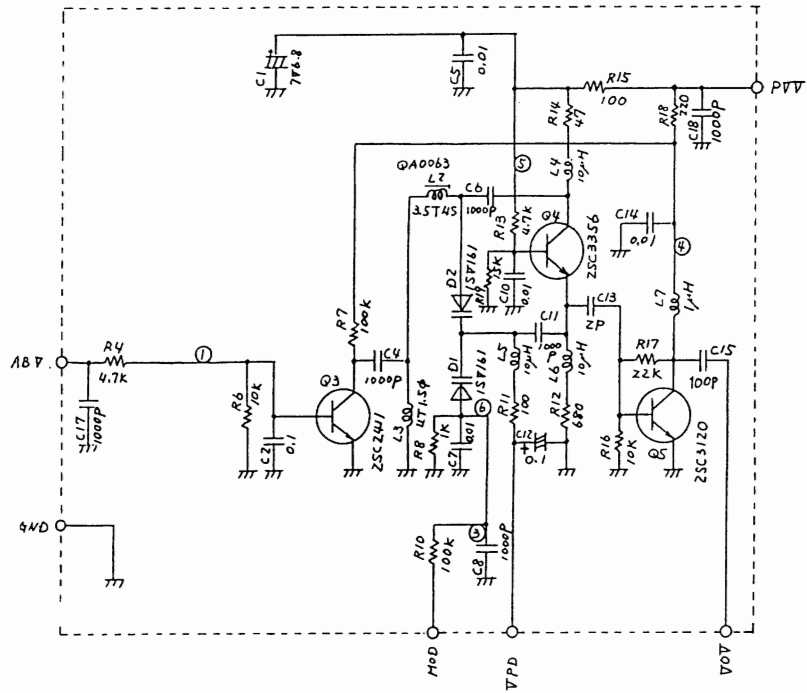




■ SCHEMATIC DIAGRAM OF VCO UNIT (DJ-560T)

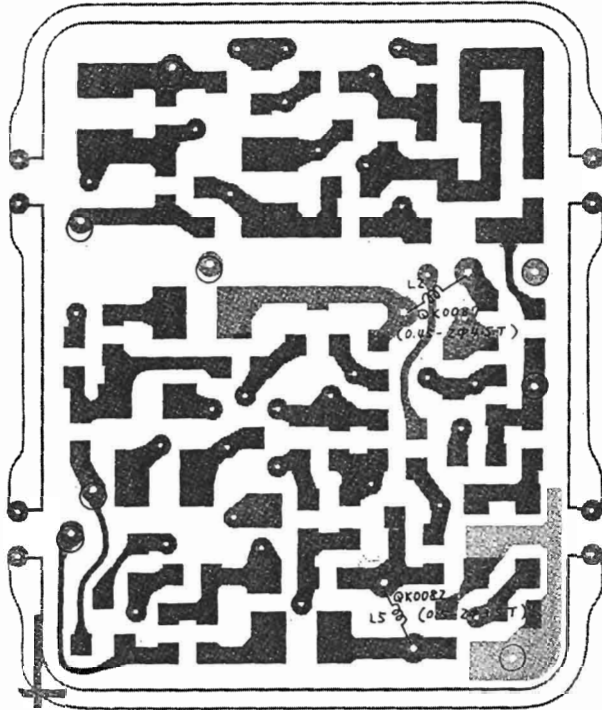


■ SCHEMATIC DIAGRAM OF VCO UNIT (DJ-560E)

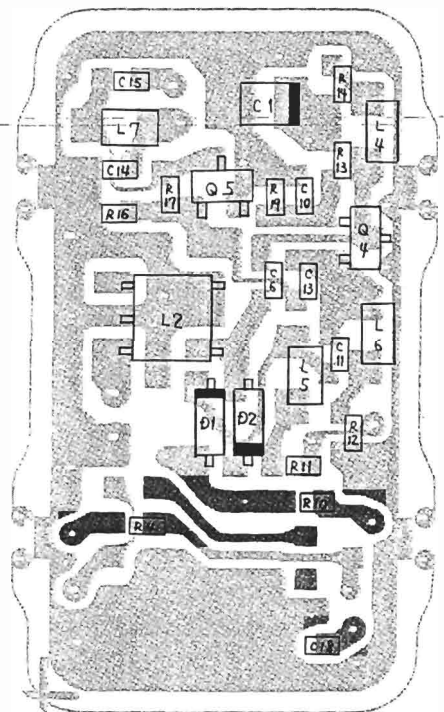
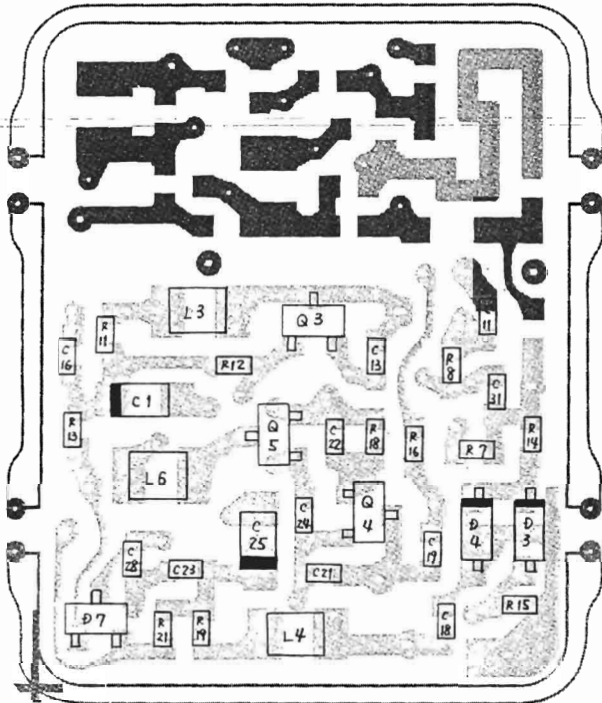
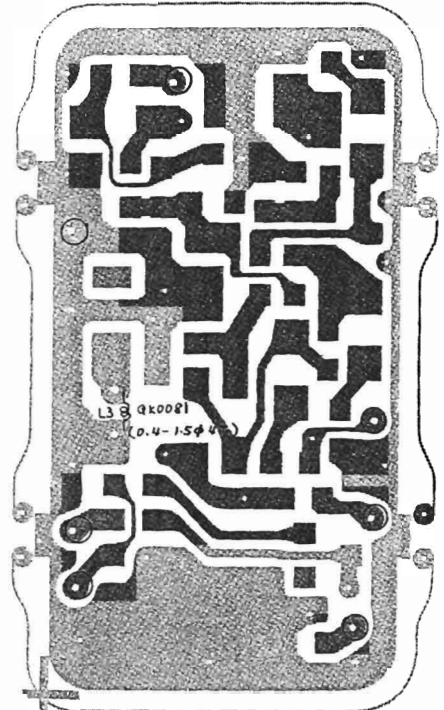


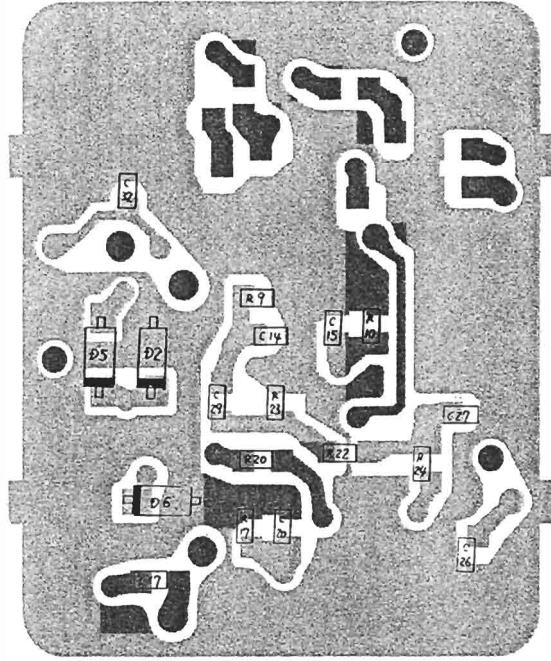
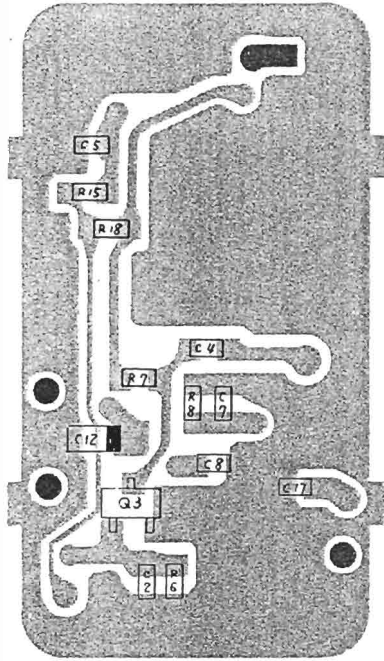
■ VCO PC BOARDS (DJ-560T/E)

○ UT001A (x 8)

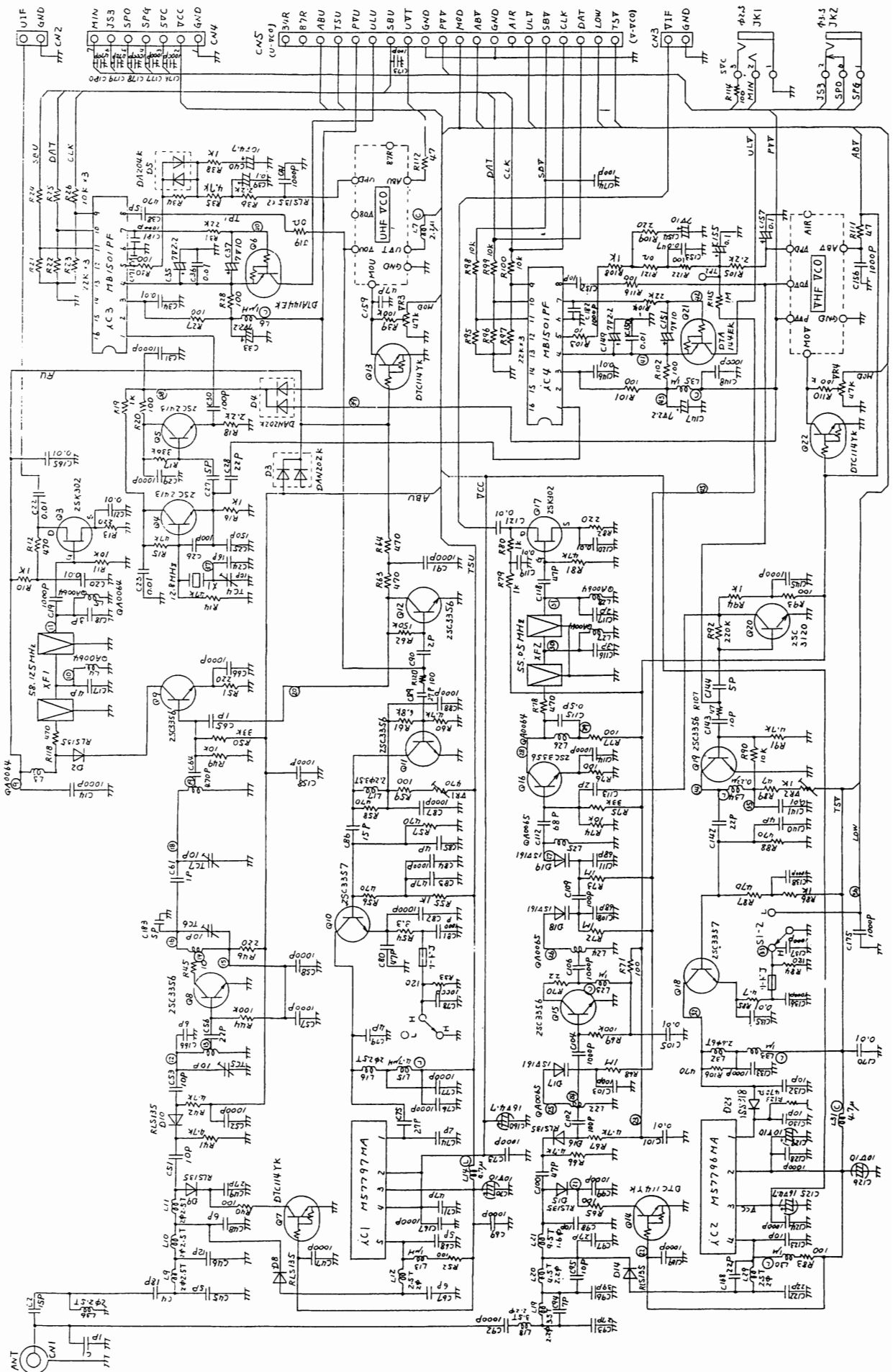


○ UT001A (x 7)

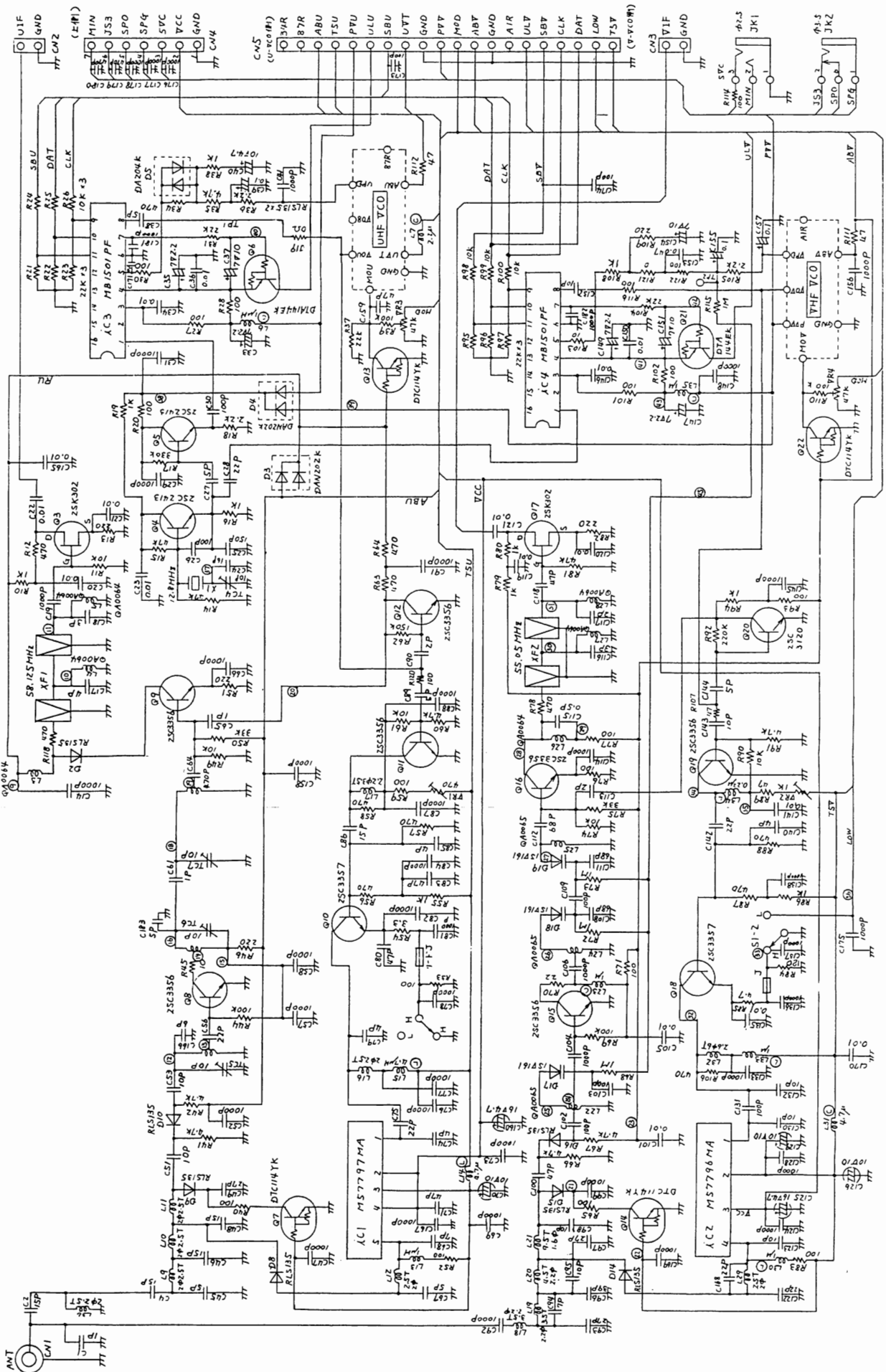




SCHEMATIC DIAGRAM OF RF UNIT (DJ-560T)



SCHEMATIC DIAGRAM OF RF UNIT (DJ-560E)



■ RF PC BOARDS (DJ-560T/E)

