

# Service Manual

## DJ-175

Specifications

Circuit Description

Parts List

Exploded View

PC Board View

Adjustment

Schematic Diagram

Block Diagram

**ALINCO, INC.**

## SPECIFICATIONS DJ-175

### <GENERAL>

Frequency range:	T:	TX 144 ~ 147.995MHz	*144 ~ 147.995MHz
		RX 136 ~ 173.995MHz	*144 ~ 147.995MHz
E:	TX 144 ~ 145.995MHz	*144 ~ 145.995MHz	
	RX 144 ~ 145.995MHz	*144 ~ 145.995MHz	
TFH:	TX 136 ~ 173.995MHz	*150 ~ 173.995MHz	
	RX 136 ~ 173.995MHz	*150 ~ 173.995MHz	

\* Guaranteed range per specifications

Modulation:	F3E (FM), F2D*      *T/E models only
Channel steps:	5, 10, 12.5, 20, 25 & 30KHz
Memory channels:	200 channels + 1 CALL channel + 1 Repeater-Access function memory
Antenna impedance:	50Ω unbalanced
Frequency stability:	+/- 2.5ppm
Microphone impedance:	2k ohm nominal
Power supply:	7.2V/ 7.4V (Battery only)
Current drain (Approx.):	1.5A Transmit high at 5W 250mA Receive at 500mW 70mA Stand-by 30mA Battery save on
Temperature range:	-10 ~ +45°C (+14 ~ 113°F)
Ground:	Negative ground
Dimension:	58(W) x 107.5(H) x 36.3(D) mm 2.28(W) x 4.23(H) x 1.43(D) inches
Weight:	Approx. 245g/ 8.7oz with EBP-72 & antenna
DTMF:	16 Buttons Keypad
Subaudible Tone (CTCSS):	encode/ decode 39 tones
Digital Code SQ. (DCS):	encode/ decode 104 codes

### <TRANSMITTER>

Output power (Approx.):	5W (High)/ 2W (Middle)/ 0.5W (Low)
Modulation	Variable reactance frequency modulation
Max. deviation	±5KHz (±2.5KHz)**
Spurious emission	-60dB or less

### <RECEIVER>

Receive system	Double conversion superheterodyne
Intermediate frequencies	1st: 21.7MHz / 2nd: 450KHz
Sensitivity (12dB SINAD)	-14dBμ (0.2μV)
Selectivity	-6dB: 12KHz or more/ -60dB: 26KHz or less (-6dB: 6KHz or more/ -60dB: 14KHz or less)**
Audio output power	500mW (8Ω, MAX) 400mW (8Ω, 10% THD)

\*\*Narrow FM models are available depending on areas of distribution.

## CIRCUIT DESCRIPTION

### 1) Receiver System

The receiver system is a double superheterodyne system with a 21.7MHz first IF and a 450kHz second IF.

#### 1. Front End

The received signal at frequency in the 136~173.995MHz (E version: 144~145.995MHz) range is passed through the low-pass filter (L101, L102, L104, L118, C101, 108, C109, C110, C117, C118, C119, C123, C124, C125, C126, C127, and C188) and tuning circuit (C255, C256, C257, C258, D120, L138, and L139) and amplified by the RF amplifier (Q119). The signal from Q119 is then passed through the tuning circuit (C242, C243, C244, C245, C269, C270, C271, D117, D118, D119, L135, L136, and L137) and converted into 21.7MHz by the mixer (Q118).

The tuning circuit, which consists of L139, L135, L136, varicaps D117, D118, D119, and D120 is controlled by the tracking voltage from the CPU so that it is optimized for the reception frequency. The local signal from the VCO is passed through the buffer (Q115), and supplied to the source of the mixer (Q118). The radio uses the lower side of the superheterodyne system.

#### 2. IF Circuit

The mixer mixes the received signal with the local signal to obtain the sum of and difference between them. The crystal filter (FL101, and FL102) selects 21.7MHz frequency from the results and eliminates the signal of the unwanted frequencies. The first IF amplifier (Q121) then amplifies the signal of the selected frequency.

#### 3. Demodulator Circuit

After the signal is amplified by the first IF amplifier (Q121), it is input to pin 16 of the demodulator IC (IC103). The second local signal of 21.25MHz (shared with PLL IC reference oscillation), which is oscillated by the TCXO (X102). Then, these two signals are mixed by the internal mixer in IC103 and the result is converted into the second IF signal with a frequency of 450kHz. The second IF signal is output from pin 3 of IC103 to the ceramic filter (FL103), where the unwanted frequency band of that signal is eliminated, and the resulting signal is sent back to the IC103 through pin 5.

The second IF signal input via pin 5 is demodulated by the internal limiter amplifier and quadrature detection circuit in IC103, and output as an audio signal through pin 9.

#### 4. Audio Circuit

The audio signal from pin 9 of IC103 is amplified by the AF amplifier (Q120). The signal is then input to pin 16 of the electronic volume (IC105) for volume adjustment, and output from pin 14. The adjusted signal is sent to the audio power amplifier (IC104) through pin 2 to drive the speaker.

#### 5. Squelch Circuit

The signal except for the noise component in AF signal of IC103 is cut by the active filter inside IC. The noise component is amplified and rectified, then converted to the DC voltage to output from pin 14 of IC103. The voltage is led to pin 2 of CPU and compared with the setting voltage. The squelch will open if the input voltage is lower than the setting voltage.

### 2) Transmitter System

#### 1. Modulator Circuit

The audio signal is converted to an electric signal in either the internal or external microphone, and input to the microphone amplifier (IC110). IC110 consists of two operational amplifiers; one amplifier (pins 12, 13, and 14) is composed of pre-emphasis and IDC circuits and the other (pins 5, 6, 7, 8, 9, and 10) is composed of a splatter filter. The maximum frequency deviation is obtained by IC105 and input to the cathode of the varicap of the VCO, to change the electric capacity in the oscillation circuit. This produces the frequency modulation.

#### 2. Power Amplifier Circuit

The transmitted signal is oscillated by the VCO, amplified by the pre-drive amplifier (Q101) and drive amplifier (Q106), and input to the final amplifier (Q105). The signal is then amplified by the final amplifier (Q105) and led to the antenna switch (D101) and low-pass filter (L104, L102, L101, C119, C118, C117, C127, C126, C125, C124, C108, and C101), where un-wanted high harmonic waves are reduced as needed, and the resulting signal is supplied to the antenna.

#### 3. APC Circuit

Part of the transmission power from the low-pass filter is detected by D108, converted to DC, and then amplified by a amplifier (IC101). The output voltage controls the bias voltage from the source of Q105 and Q106 to maintain the transmission power constant.

### 3) PLL Synthesizer System

#### 1. PLL

The dividing ratio is obtained by sending data from the CPU (IC113) to pin 10 and sending clock pulse to pin 9 of the PLL IC ( IC101 ). The oscillated signal from the VCO is amplified by the buffer (Q116) and input to pin 8 of IC102. Each programmable divider in IC102 divides the frequency of the input signal by N according to the frequency data, to generate a comparison frequency of 5 or 6.25kHz.

#### 2. Reference Frequency Circuit

The reference frequency appropriate for the channel steps is obtained by dividing the 21.25MHz reference oscillation (X102) by 4250 or 3400, according to the data from the CPU (IC113). When the resulting frequency is 5kHz, channel steps of 5, 10, 15, 20, and 30kHz are used. When it is 6.25kHz, channel steps of 12.5, 25 , and 50kHz are used.

#### 3. Phase Comparator Circuit

The PLL (IC102) uses the reference frequency, 5 or 6.25kHz. The phase comparator in the IC102 compares the phase of the frequency from the VCO with that of the comparison frequency, 5 or 6.25kHz, which is obtained by the internal divider in IC102.

#### 4. PLL Loop Filter Circuit

If a phase difference is found in the phase comparison between the reference frequency and VCO output frequency, the charge pump output (pin 5) of IC102 generates a pulse signal, which is converted to DC voltage by the PLL loop filter and input to the varicap of the VCO unit for oscillation frequency control.

#### 5. VCO Circuit

A Colpitts oscillation circuit driven by Q108 directly oscillates the desired frequency. The frequency control voltage determined in the CPU (IC113) and PLL circuit is input to the varicaps (D105 and D107). This changes the oscillation frequency, which is amplified by the VCO buffer (Q113) and output from the VCO unit.

#### 4) CPU and Peripheral Circuits

##### 1. LCD Display Circuit

The CPU turns ON the LCD via segment and common terminals with 1/4 the duty and 1/3 the bias, at the frame frequency is 112.5Hz.

##### 2. Display Lamp Circuit

When the LAMP key is pressed, "L" is output from pin 67 of CPU ( IC113) to the bases of Q140. Q140 then turn ON and the LEDs (D128 and D129) light.

##### 3. Reset and Backup

When the power from the DC jack or external battery increases from Circuits 0V to 2.5 or more, " H " level reset signal is output from the reset IC (IC108) to pin 6 of the CPU (IC113), causing the CPU to reset. The reset signal, however, waits at 100, and does not enter the CPU until the CPU clock (X104) has stabilized.

##### 4. S (Signal) Meter Circuit

The DC potential of pin 12 of IC103 is input to pin 83 of the CPU (IC113), converted from an analog to a digital signal, and displayed as the S-meter signal on the LCD.

##### 5. DTMF Encoder

The CPU (IC113) is equipped with an internal DTMF encoder. The DTMF signal is output from pin 71, through IC112 (Low-pass filter), and then through the microphone amplifier (IC110), and is sent to the varicap of the VCO for modulation. At the same time, the monitoring tone passes through the AF circuit and is output from the speaker.

##### 6. TONE Encoder

The CPU (IC113) is equipped with an internal tone encoder. The tone signal (67.0 to 250.3Hz ) is output from pin 70 of the CPU to the 21.25MHz reference oscillation (X102) of the PLL reference oscillator.

##### 7. DCS Encoder

The CPU (IC113) is equipped with an internal DCS code encoder. The code (023 to 754) is output from pin 70 of the CPU to the 21.25MHz reference oscillation (X102) of the PLL reference oscillator.

#### 8. CTCSS, DCS Decoder

The voice band of the AF output signal from pin 9 of IC103 is cut by sharp active filter IC111 and amplified, then led to pin 80 of CPU. The input signal is compared with the programmed tone frequency code in the CPU. The squelch will open when they match.

#### 9. Clock Shift

In the unlikely event that CPU clock noise is present on a particular operating frequency programmed into the radio, you can shift the CPU clock frequency to avoid the CPU clock-noise. The output signal from pin 8 of the CPU turns on Q127. Then the oscillation frequency of X104 will be shifted about 200 ppm.

Parts List  
MAIN UNIT

Ref. No.	Parts No.	Parts name	Version
C101	CU3535	GRM36B102K50PT	
C102	CU3535	GRM36B102K50PT	
C103	CU3519	GRM36CH470J50PT	
C104	CU3535	GRM36B102K50PT	
C105			
C108	CU3535	GRM36B102K50PT	
C109	CU3512	GRM36CH120J50PT	
C110	CU3505	GRM36CH040C50PT	
C111	CU3535	GRM36B102K50PT	
C112	CU3520	GRM1552C1H560JD01D	
C113	CU3535	GRM36B102K50PT	
C114	CU3503	GRM36CK020C50PT	
C115			
C116	CU3512	GRM36CH120J50PT	
C117	CU3513	GRM36CH150J50PT	
C118	CU3513	GRM36CH150J50PT	
C119	CU3513	GRM36CH150J50PT	
C120			
C122	CU3559	GRM155B30J105KE18D	
C123			
C124	CU3512	GRM36CH120J50PT	
C125	CU3512	GRM36CH120J50PT	
C126	CU3513	GRM36CH150J50PT	
C127	CU3514	GRM36CH180J50PT	
C129	CU3512	GRM36CH120J50PT	
C130	CU3514	GRM36CH180J50PT	T, E, EUK
C131	CU3517	GRM36CH330J50PT	
C132	CU3516	GRM36CH270J50PT	
C133	CU3517	GRM36CH330J50PT	
C134	CU3513	GRM36CH150J50PT	
C135	CU3513	GRM36CH150J50PT	
C136	CU3513	GRM36CH150J50PT	
C137	CU3535	GRM36B102K50PT	
C138			
C139			
C140	CU3554	GRM36B104K10PT	
C141	CU3535	GRM36B102K50PT	
C142	CU3502	GRM36CK010C50PT	
C144			
C145	CU3535	GRM36B102K50PT	
C146	CU3535	GRM36B102K50PT	
C147	CU3506	GRM36CH050C50PT	
C149	CU3502	GRM36CK010C50PT	
C150	CU3502	GRM36CK010C50PT	
C151	CU3547	GRM36B103K16PT	
C152	CU3535	GRM36B102K50PT	
C153			
C155	CU3535	GRM36B102K50PT	
C156			
C157	CU3535	GRM36B102K50PT	
C158	CU3535	GRM36B102K50PT	
C159	CU3547	GRM36B103K16PT	
C160	CU3535	GRM36B102K50PT	
C161	CU3535	GRM36B102K50PT	
C162			
C163	CU3535	GRM36B102K50PT	
C164	CS0441	TMCMA0J226MTRF	
C165	CU3535	GRM36B102K50PT	
C166	CU3513	GRM36CH150J50PT	
C167	CU3523	GRM1552C1H101JZ01D	
C168	CU3502	GRM36CK010C50PT	
C169	CU3502	GRM36CK010C50PT	
C171	CU3511	GRM36CH100D50PT	
C172	CU3535	GRM36B102K50PT	

Ref. No.	Parts No.	Parts name	
C173			
C174			
C175			
C176	CU3502	GRM36CK010C50PT	
C177	CU3535	GRM36B102K50PT	
C178	CU3513	GRM36CH150J50PT	
C179	CU3535	GRM36B102K50PT	
C180	CU3515	GRM36CH220J50PT	
C181	CU0119	GRM21BB30J106KE18L	
C182	CU3554	GRM36B104K10PT	
C183	CU3535	GRM36B102K50PT	
C184	CU3547	GRM36B103K16PT	
C185	CU3535	GRM36B102K50PT	
C186			
C187	CU3513	GRM36CH150J50PT	
C188	CU3508	1005 CH 50V 7PF D	
C189	CU3535	GRM36B102K50PT	
C190			
C191	CU3137	GRM188B31C105KA92D	
C192	CU3535	GRM36B102K50PT	
C193	CU3514	GRM36CH180J50PT	
C194	CU3554	GRM36B104K10PT	
C195	CU3535	GRM36B102K50PT	
C196	CU3502	GRM36CK010C50PT	
C197	CU3527	GRM1552C1E221JD01D	
C198	CU3554	GRM36B104K10PT	
C199	CU3515	GRM36CH220J50PT	
C200	CU3554	GRM36B104K10PT	
C201	CU3535	GRM36B102K50PT	
C202	CU3547	GRM36B103K16PT	
C203	CU3535	GRM36B102K50PT	
C204	CU3535	GRM36B102K50PT	
C205	CS0396	20V 0.1UF	
C206	CS0396	20V 0.1UF	
C207	CU3547	GRM36B103K16PT	
C209	CU3515	GRM36CH220J50PT	T, E, EUK
C209	CU3514	GRM36CH180J50PT	TFH
C210	CU3505	GRM36CH040C50PT	
C211	CU3526	GRM1552C1E181JD01D	
C212	CU3528	GRM1552C1E271JD01D	
C213	CU3526	GRM1552C1E181JD01D	
C214	CU3535	GRM36B102K50PT	
C215	CU3554	GRM36B104K10PT	
C216			
C219	CS0398	6.3V 2.2UF	
C220	CU3535	GRM36B102K50PT	
C221	CU3535	GRM36B102K50PT	
C222	CU3535	GRM36B102K50PT	
C223			
C224	CU3547	GRM36B103K16PT	
C225	CU3535	GRM36B102K50PT	
C226	CU3535	GRM36B102K50PT	
C227	CU3535	GRM36B102K50PT	
C228	CU3515	GRM36CH220J50PT	
C229	CU3515	GRM36CH220J50PT	
C230	CU3512	GRM36CH120J50PT	
C231	CU0119	GRM21BB30J106KE18L	
C232	CU3535	GRM36B102K50PT	
C233	CU3522	GRM1552C1H820JD01D	
C234	CU3547	GRM36B103K16PT	
C235	CU3519	GRM36CH470J50PT	
C236	CU3535	GRM36B102K50PT	
C237	CU3547	GRM36B103K16PT	
C238	CU3539	GRM36B222K50PT	



Ref. No.	Parts No.	Parts name	Version
C239	CU3547	GRM36B103K16PT	
C240	CU3535	GRM36B102K50PT	
C241	CU3539	GRM36B222K50PT	
C242	CU3535	GRM36B102K50PT	
C243	CU3573	GRM1554C1HR80BZ01D	
C244	CU3573	GRM1554C1HR80BZ01D	
C245	CU3523	GRM1552C1H101JZ01D	
C246	CU3554	GRM36B104K10PT	
C247	CU3554	GRM36B104K10PT	
C248	CU3559	GRM155B30J105KE18D	
C249	CU3537	GRM36B152K50PT	
C250	CU3537	GRM36B152K50PT	
C252	CU3535	GRM36B102K50PT	
C253	CU3543	GRM36B472K25PT	
C254	CU3549	1005 B 16V 0.015UF K	
C255	CU3535	GRM36B102K50PT	
C256	CU3516	GRM36CH270J50PT	
C257	CU3505	GRM36CH040C50PT	
C258	CU3523	GRM1552C1H101JZ01D	
C259			
C260	CU3554	GRM36B104K10PT	
C261	CU3547	GRM36B103K16PT	
C262	CU3535	GRM36B102K50PT	
C263	CU3508	1005 CH 50V 7PF D	T, E, TFH
C263	CU3513	GRM36CH150J50PT	EUK
C264	CU3535	GRM36B102K50PT	
C265	GE0436	16CE47BSS	
C266	CU3137	GRM188B31C105KA92D	
C267	CU3535	GRM36B102K50PT	
C268	CU3535	GRM36B102K50PT	
C269	CU3523	GRM1552C1H101JZ01D	
C270	CU3523	GRM1552C1H101JZ01D	
C271	CU3523	GRM1552C1H101JZ01D	
C272	CU3535	GRM36B102K50PT	
C273	CU3547	GRM36B103K16PT	
C274	CU3554	GRM36B104K10PT	
C275	CU3535	GRM36B102K50PT	
C276	CU3523	GRM1552C1H101JZ01D	
C277	CU3535	GRM36B102K50PT	
C278	CU3523	GRM1552C1H101JZ01D	
C279	CU3547	GRM36B103K16PT	
C280	CS0441	TMCMA0J226MTRF	
C281	CU3535	GRM36B102K50PT	
C282	CU3554	GRM36B104K10PT	
C284	CU3559	GRM155B30J105KE18D	
C285	CU3554	GRM36B104K10PT	
C286	CU3527	GRM1552C1E221JD01D	
C287	CU3535	GRM36B102K50PT	
C288	CU3527	GRM1552C1E221JD01D	
C289	CU3535	GRM36B102K50PT	
C290	CU3554	GRM36B104K10PT	
C291	CU3138	GRM188B31C225KE14D	
C292	GE0436	16CE47BSS	
C293	CU3554	GRM36B104K10PT	
C294	CU3535	GRM36B102K50PT	
C295			
C296	GE0463	10CE100BSS	
C297			
C298	CU3535	GRM36B102K50PT	
C299	CU3137	GRM188B31C105KA92D	
C300	CU3554	GRM36B104K10PT	
C301	CU3535	GRM36B102K50PT	
C302	CE0462	6CE100BSS	
C303	CU3535	GRM36B102K50PT	
C304	CU3554	GRM36B104K10PT	

Ref. No.	Parts No.	Parts name	
C305	CU3138	GRM188B31C225KE14D	T, E, EUK
C306	CU3559	GRM155B30J105KE18D	
C307	CU3535	GRM36B102K50PT	
C308	CU3138	GRM188B31C225KE14D	
C310	CU3137	GRM188B31C105KA92D	
C311	CU3535	GRM36B102K50PT	
C312	CU3554	GRM36B104K10PT	T, E, EUK
C313	CU3137	GRM188B31C105KA92D	
C314	CU3547	GRM36B103K16PT	
C315	CU3547	GRM36B103K16PT	
C316	CU3554	GRM36B104K10PT	
C317	CU3517	GRM36CH330J50PT	
C318	CU3516	GRM36CH270J50PT	
C319			
C320	CU3535	GRM36B102K50PT	
C321	CU3535	GRM36B102K50PT	
C322	CU3559	GRM155B30J105KE18D	
C323	CU3535	GRM36B102K50PT	
C324	CU3559	GRM155B30J105KE18D	
C325	CU3554	GRM36B104K10PT	
C326			
C327	CU3137	GRM188B31C105KA92D	
C328	CU3535	GRM36B102K50PT	
C329	CU3554	GRM36B104K10PT	
C330	CU3535	GRM36B102K50PT	
C331	CU0119	GRM21BB30J106KE18L	
C332	CU3535	GRM36B102K50PT	
C333	CU3535	GRM36B102K50PT	
C334	CU0119	GRM21BB30J106KE18L	
C335	CU3540	GRM36B272K50PT	
C336	CU3523	GRM1552C1H101JZ01D	
C337	CU3535	GRM36B102K50PT	
C338	CU3137	GRM188B31C105KA92D	
C339	CU3137	GRM188B31C105KA92D	
C340	CU3535	GRM36B102K50PT	
C341	CU3547	GRM36B103K16PT	
C342	CU3547	GRM36B103K16PT	
C343	CU3554	GRM36B104K10PT	
C344	CU3554	GRM36B104K10PT	
C345	CU3554	GRM36B104K10PT	
C346	CU3547	GRM36B103K16PT	
C347	CU3523	GRM1552C1H101JZ01D	
C348	CU3547	GRM36B103K16PT	
C349	CU3539	GRM36B222K50PT	
C350	CU3533	GRM36B681K50PT	
C351			
C352	CU3547	GRM36B103K16PT	
C353	CU3539	GRM36B222K50PT	
C354	CU3541	GRM36B332K50PT	
C355	CU3547	GRM36B103K16PT	
C356	CU3535	GRM36B102K50PT	
C357	CU3535	GRM36B102K50PT	
C358	CU0119	GRM21BB30J106KE18L	
C359	CU3553	GRM36B473K10PT	
C360	CU3559	GRM155B30J105KE18D	
C361	CU3535	GRM36B102K50PT	
C362	CU3533	GRM36B681K50PT	
C363	CU3535	GRM36B102K50PT	
C364	CU3539	GRM36B222K50PT	
C365	CU3533	GRM36B681K50PT	
C366	CU3537	GRM36B152K50PT	
C367	CU3523	GRM1552C1H101JZ01D	
C368	CU3531	GRM36B471K50PT	
C369	CU3541	GRM36B332K50PT	
C370	CU3554	GRM36B104K10PT	

Ref. No.	Parts No.	Parts name	Version
C371	CU3535	GRM36B102K50PT	
C372	CU3559	GRM155B30J105KE18D	
C373			
C375	CU3541	GRM36B332K50PT	
C376	CU3554	GRM36B104K10PT	
C377	CU3554	GRM36B104K10PT	
C378			
C379	CU3535	GRM36B102K50PT	
C380	CU3535	GRM36B102K50PT	
C381	CU3535	GRM36B102K50PT	
C382	CS0439	TMCMA0J476MF	
C383	CU3535	GRM36B102K50PT	
C384	CU3535	GRM36B102K50PT	
C385	CU3535	GRM36B102K50PT	
C386	CU0119	GRM21BB30J106KE18L	
C387	CU3535	GRM36B102K50PT	
C388	CU3535	GRM36B102K50PT	
C389	CU3535	GRM36B102K50PT	
C390	CU3554	GRM36B104K10PT	
C391	CU3535	GRM36B102K50PT	
C392	CU3535	GRM36B102K50PT	
C393	CU0119	GRM21BB30J106KE18L	
C394	CU3512	GRM36CH120J50PT	
C395	CU3535	GRM36B102K50PT	
C396	CU3535	GRM36B102K50PT	
C397	CU3535	GRM36B102K50PT	
C398	CU3138	GRM188B31C225KE14D	
C399			
C400			
C401	CU3554	GRM36B104K10PT	
C403	CS0441	TMCMA0J226MTRF	
C404	CU3554	GRM36B104K10PT	
C413	CU3559	GRM155B30J105KE18D	T, E, EUK
C414	CU3554	GRM36B104K10PT	
C415	CU3554	GRM36B104K10PT	
CN101			
CN102			
D101	XD0422	HSC277TRF-E	
D103	XD0419	1SS400TE61	
D104			
D105	XD0421	1SV323(TPH3,H)	
D106	XD0422	HSC277TRF-E	
D107	XD0421	1SV323(TPH3,H)	
D108	XD0453	RB717F	
D109			
D110	XD0451	015AZ3.0-X(TPL3,F)	
D111			
D112	XD0422	HSC277TRF-E	
D113	XD0422	HSC277TRF-E	
D114	XD0421	1SV323(TPH3,H)	
D115	XD0421	1SV323(TPH3,H)	
D116			
D117	XD0421	1SV323(TPH3,H)	
D118	XD0421	1SV323(TPH3,H)	
D119	XD0421	1SV323(TPH3,H)	
D120	XD0421	1SV323(TPH3,H)	
D121	XL0097	SML-521MUWT86	
D122	XD0338	1SS362(TE85L)	
D123	XL0036	LED SML-310MT	
D124	XL0036	LED SML-310MT	
D125	XL0036	LED SML-310MT	
D126	XL0036	LED SML-310MT	
D127	XD0418	RB521S-30TE61	
D128	XL0036	LED SML-310MT	
D129	XL0036	LED SML-310MT	

Ref. No.	Parts No.	Parts name	
D130	XD0418	RB521S-30TE61	
FL101	XF0059	Q21707AD27-21.7MHZ	EUK
FL101	XF0051	Q2175AD20 21.7MHZ	T, E, TFH
FL102	XF0059	Q21707AD27-21.7MHZ	EUK
FL102	XF0051	Q2175AD20 21.7MHZ	T, E, TFH
FL103	XC0052	ALFYM450G=K	EUK
FL103	XC0060	ALFYM450F=K	T, E, TFH
IC101	XA1103	LM2904PWR	
IC102	XA1107	MB15E07SRPFTGBNDEFE1	
IC103	XA0404	TA31136FNG(EL)	
IC104	XA0210	IC NJM2070M	
IC105	XA1293	M62364FP#DF1G	
IC106	XA1119	XC6202P502MR	
IC107	XA0617	TC75S56FU(TE85)	T, E, EUK
IC108	XA1120	S80845CLNB-B66-T2G	
IC109	XA1117	S24CS64A01-J8T1G	
IC110	XA1106	LM2902PWR	
IC111	XA1106	LM2902PWR	
IC112	XA1106	LM2902PWR	
IC113	XA1358	UPD78F0395GC-8EA-A	T, E, EUK
IC113	XA1292	UPD78F0394GC-8EA-A	TFH
JK101	UJ0019	HSJ1493-01-010	
JK102	UJ0022	HSJ1102-01-540	
L101	QS401556	0.40-1.55-6TL	
L102	QS402006	0.40-2.0-6TL	
L104	QS402006	0.40-2.0-6TL	
L105	QS401405	0.40-1.4-5TL	
L106	QS501403	0.50-1.4-3TL	
L108	QC0812	1005 100NH	
L109			
L110	QC0757	C1608CB22NJ	
L111			
L112	QS402057	0.40-2.05-7TL	
L113	QC0875	C2012H68NH	
L114	QC0902	C2012C1R0J	
L115	QC0812	1005 100NH	
L116	QC0736	LK10052R2K-B	
L117	QB0057	MPZ1608S101AT	
L118	QS402057	0.40-2.05-7TL	
L120	QB0057	MPZ1608S101AT	
L121	QC0818	C2012H82NH	
L123	QC0736	LK10052R2K-B	
L124	QC0773	C1608CBR47J	
L125	QC0773	C1608CBR47J	
L126	QC0769	1608CBR22J	
L127	QC0765	1608 100NH	
L128			
L129	QC0812	1005 100NH	
L130			
L132	QC0842	LB2518T221K	
L133	QC0812	1005 100NH	
L134	QC0902	C2012C1R0J	
L135	QC0875	C2012H68NH	
L136	QC0875	C2012H68NH	
L137	QC0875	C2012H68NH	
L138	QC0875	C2012H68NH	
L139	QC0874	C2012H56NH	
L140			
L141	QC0935	LB2012T150K	
L142	QB0057	MPZ1608S101AT	
L143			
LCD101	EL0059	LCD DJ170	
MIC101	EY0017	OB-27P44	
Q101	XT0180	2SC5066FT-Y(TE85L)	
Q102	XE0090	SSM3J15FV(TPL3,Z)	

Ref. No.	Parts No.	Parts name	Version
Q104	XT0210	2SC6026MFV-GR	
Q105	XE0091	RQA0002DNS	
Q106	XE0092	RQA0004PXDQS	
Q107			
Q108	XT0219	15GN03F-TL-E	
Q110	XU0211	RN2107FV	
Q111	XU0210	RN1107FV	
Q112	XT0219	15GN03F-TL-E	
Q113	XT0219	15GN03F-TL-E	
Q114	XT0213	2SC5659T2L	
Q115	XT0219	15GN03F-TL-E	
Q116	XT0219	15GN03F-TL-E	
Q117	XT0214	HN2C01FE-GR(T5L,F)	
Q118	XE0053	3SK293TE85L	
Q119	XE0053	3SK293TE85L	
Q120	XT0210	2SC6026MFV-GR	
Q121	XT0213	2SC5659T2L	
Q122			
Q123	XU0220	RN2111MFV(TPL3)	
Q124	XT0223	2SA2070(TE12L,F)	
Q125	XU0211	RN2107FV	T, E, EUK
Q126			
Q127	XU0220	RN2111MFV(TPL3)	
Q128	XT0214	HN2C01FE-GR(T5L,F)	
Q129	XU0210	RN1107FV	
Q130	XU0212	RN2115FV	
Q131	XU0210	RN1107FV	
Q132	XT0210	2SC6026MFV-GR	
Q133	XU0213	RN1111FV TPL3	
Q134	XT0223	2SA2070(TE12L,F)	
Q135	XT0212	2SA1955FV-A(TPL3)	
Q136	XT0212	2SA1955FV-A(TPL3)	
Q137	XT0212	2SA1955FV-A(TPL3)	
Q138	XU0213	RN1111FV TPL3	
Q139	XT0214	HN2C01FE-GR(T5L,F)	
Q140	XU0213	RN1111FV TPL3	
Q142	XE0090	SSM3J15FV(TPL3,Z)	
R101	RK3562	1005 1/16W 100K OHMJ	
R104	RK3526	1005 1/16W 100 OHM J	
R105	RK3566	1005 1/16W 220K OHMJ	
R106	RK3501	1005 1/16W 0 OHM J	
R107	RK3534	1005 1/16W 470 OHM J	
R108	RK3550	1005 1/16W 10K OHM J	
R111	RK3550	1005 1/16W 10K OHM J	
R112	RK3530	1005 1/16W 220 OHM J	
R113	RK3546	1005 1/16W 4.7K OHMJ	
R114	RK3538	1005 1/16W 1.0K OHMJ	
R116	RK3526	1005 1/16W 100 OHM J	
R117	RK3014	1608 1/10W 10 OHM J	
R118	RK3518	1005 1/16W 22 OHM J	
R119	RK3562	1005 1/16W 100K OHMJ	
R120	RK3530	1005 1/16W 220 OHM J	
R121			
R122	RK3542	1005 1/16W 2.2K OHMJ	
R123			
R124	RK3552	1005 1/16W 15K OHM J	
R126			
R127	RK3557	1005 1/16W 39K OHM J	
R128	RK3562	1005 1/16W 100K OHMJ	
R130	RK3562	1005 1/16W 100K OHMJ	
R131	RK3558	1005 1/16W 47K OHM J	
R132	RK3557	1005 1/16W 39K OHM J	
R133	RK3518	1005 1/16W 22 OHM J	
R134	RK3501	1005 1/16W 0 OHM J	
R135	RK3551	1005 1/16W 12K OHM J	

Ref. No.	Parts No.	Parts name	
R136	RK3562	1005 1/16W 100K OHMJ	
R137	RK3551	1005 1/16W 12K OHM J	
R138			
R141			
R142	RK3530	1005 1/16W 220 OHM J	
R143	RK3550	1005 1/16W 10K OHM J	
R144	RK3526	1005 1/16W 100 OHM J	
R145	RK3532	1005 1/16W 330 OHM J	
R146	RK3550	1005 1/16W 10K OHM J	
R147	RK3501	1005 1/16W 0 OHM J	
R148			
R149	RK3552	1005 1/16W 15K OHM J	
R150	RK3554	1005 1/16W 22K OHM J	
R151	RK3537	1005 1/16W 820 OHM J	
R152			
R153	RK3550	1005 1/16W 10K OHM J	
R154	RK3570	1005 1/16W 470K OHMJ	
R155	RK3552	1005 1/16W 15K OHM J	
R156	RK3562	1005 1/16W 100K OHMJ	
R157	RK3546	1005 1/16W 4.7K OHMJ	
R158	RK3570	1005 1/16W 470K OHMJ	
R159	RK3538	1005 1/16W 1.0K OHMJ	
R160			
R162	RK3538	1005 1/16W 1.0K OHMJ	
R163	RK3542	1005 1/16W 2.2K OHMJ	
R164	RK3550	1005 1/16W 10K OHM J	
R165	RK3501	1005 1/16W 0 OHM J	
R166	RK3537	1005 1/16W 820 OHM J	
R167	RK3539	1005 1/16W 1.2K OHMJ	
R168	RK3558	1005 1/16W 47K OHM J	
R169			
R170	RK3530	1005 1/16W 220 OHM J	
R171	RK3564	1005 1/16W 150K OHMJ	
R172	RK3570	1005 1/16W 470K OHMJ	
R173	RK3550	1005 1/16W 10K OHM J	
R174	RK3526	1005 1/16W 100 OHM J	
R175			
R176	RK3530	1005 1/16W 220 OHM J	
R177	RK3530	1005 1/16W 220 OHM J	
R178	RK3570	1005 1/16W 470K OHMJ	
R179	RK3550	1005 1/16W 10K OHM J	
R180	RK3538	1005 1/16W 1.0K OHMJ	
R181	RK3518	1005 1/16W 22 OHM J	
R183	RK3538	1005 1/16W 1.0K OHMJ	
R184	RK3550	1005 1/16W 10K OHM J	
R185	RK3574	1005 1/16W 1.0M OHMJ	
R186	RK3538	1005 1/16W 1.0K OHMJ	
R187	RK3542	1005 1/16W 2.2K OHMJ	
R188	RK3522	1005 1/16W 47 OHM J	
R189	RK3550	1005 1/16W 10K OHM J	
R190	RK3556	1005 1/16W 33K OHM J	
R191	RK3562	1005 1/16W 100K OHMJ	
R192	RK3574	1005 1/16W 1.0M OHMJ	
R193	RK3562	1005 1/16W 100K OHMJ	
R194	RK3562	1005 1/16W 100K OHMJ	
R195	RK3560	1005 1/16W 68K OHM J	
R196	RK3566	1005 1/16W 220K OHMJ	
R198	RK3550	1005 1/16W 10K OHM J	
R199	RK3570	1005 1/16W 470K OHMJ	
R200	RK3550	1005 1/16W 10K OHM J	
R201	RK3550	1005 1/16W 10K OHM J	
R202	RK3558	1005 1/16W 47K OHM J	
R203	RK3562	1005 1/16W 100K OHMJ	
R204	RK3570	1005 1/16W 470K OHMJ	
R205	RK3542	1005 1/16W 2.2K OHMJ	

Ref. No.	Parts No.	Parts name	Version
R206	RK3536	1005 1/16W 680 OHM J	EUK
R206	RK3539	1005 1/16W 1.2K OHMJ	T, E, TFH
R207	RK3536	1005 1/16W 680 OHM J	EUK
R207	RK3539	1005 1/16W 1.2K OHMJ	T, E, TFH
R208	RK3550	1005 1/16W 10K OHM J	
R209	RK3556	1005 1/16W 33K OHM J	
R210	RK3538	1005 1/16W 1.0K OHMJ	
R211	RK3550	1005 1/16W 10K OHM J	
R212	RK3518	1005 1/16W 22 OHM J	
R213	RK3550	1005 1/16W 10K OHM J	
R214	RK3518	1005 1/16W 22 OHM J	
R215	RK3574	1005 1/16W 1.0M OHMJ	
R216	RK3574	1005 1/16W 1.0M OHMJ	
R217	RK3574	1005 1/16W 1.0M OHMJ	
R218			
R219	RK3550	1005 1/16W 10K OHM J	
R220	RK3574	1005 1/16W 1.0M OHMJ	
R221	RK3574	1005 1/16W 1.0M OHMJ	
R222	RK3564	1005 1/16W 150K OHMJ	
R223			
R225	RK3550	1005 1/16W 10K OHM J	T, E, TFH
R225	RK3547	1005 1/16W 5.6K OHMJ	EUK
R226	RK3550	1005 1/16W 10K OHM J	
R227	RK3564	1005 1/16W 150K OHMJ	
R228	RK3554	1005 1/16W 22K OHM J	
R229	RK3544	1005 1/16W 3.3K OHMJ	
R230	RK3501	1005 1/16W 0 OHM J	
R231	RK3514	1005 1/16W 10 OHM J	
R233	RK3536	1005 1/16W 680 OHM J	
R234	RK3532	1005 1/16W 330 OHM J	
R235	RK3562	1005 1/16W 100K OHMJ	
R237	RK3570	1005 1/16W 470K OHMJ	
R239	RK3574	1005 1/16W 1.0M OHMJ	
R240	RK3562	1005 1/16W 100K OHMJ	T, E, EUK
R241	RK3550	1005 1/16W 10K OHM J	T, E, EUK
R242	RK3566	1005 1/16W 220K OHMJ	
R243	RK3566	1005 1/16W 220K OHMJ	
R244	RK3550	1005 1/16W 10K OHM J	T, E, EUK
R245	RK3553	1005 1/16W 18K OHM J	
R246	RK3550	1005 1/16W 10K OHM J	
R247	RK3574	1005 1/16W 1.0M OHMJ	
R248	RK3550	1005 1/16W 10K OHM J	
R249	RK3550	1005 1/16W 10K OHM J	
R250	RK3550	1005 1/16W 10K OHM J	
R251	RK3546	1005 1/16W 4.7K OHMJ	
R252	RK3526	1005 1/16W 100 OHM J	T, E, EUK
R253	RK3550	1005 1/16W 10K OHM J	T, E, EUK
R254	RK3553	1005 1/16W 18K OHM J	
R255	RK3566	1005 1/16W 220K OHMJ	
R256	RK3562	1005 1/16W 100K OHMJ	
R257	RK1018	3216 1/8 W 100 OHM J	
R258	RK3566	1005 1/16W 220K OHMJ	
R259	RK3501	1005 1/16W 0 OHM J	T, E, EUK
R260	RK3562	1005 1/16W 100K OHMJ	T, E, EUK
R261			
R262	RK3542	1005 1/16W 2.2K OHMJ	
R263	RK3554	1005 1/16W 22K OHM J	
R265	RK3550	1005 1/16W 10K OHM J	
R266	RK3574	1005 1/16W 1.0M OHMJ	
R267	RK3538	1005 1/16W 1.0K OHMJ	
R268	RK3562	1005 1/16W 100K OHMJ	
R269	RK3558	1005 1/16W 47K OHM J	
R270	RK3550	1005 1/16W 10K OHM J	
R271	RK3538	1005 1/16W 1.0K OHMJ	
R273	RK3560	1005 1/16W 68K OHM J	

Ref. No.	Parts No.	Parts name	
R276	RK3552	1005 1/16W 15K OHM J	
R277	RK3552	1005 1/16W 15K OHM J	
R278	RK3550	1005 1/16W 10K OHM J	
R279	RK3514	1005 1/16W 10 OHM J	
R280	RK3562	1005 1/16W 100K OHMJ	
R281	RK3562	1005 1/16W 100K OHMJ	
R282	RK3538	1005 1/16W 1.0K OHMJ	
R283	RK3550	1005 1/16W 10K OHM J	
R284	RK3550	1005 1/16W 10K OHM J	
R285	RK3562	1005 1/16W 100K OHMJ	
R286	RK3562	1005 1/16W 100K OHMJ	
R287	RK3550	1005 1/16W 10K OHM J	
R288	RK3560	1005 1/16W 68K OHM J	
R289	RK3558	1005 1/16W 47K OHM J	
R290	RK3566	1005 1/16W 220K OHMJ	
R291	RK3558	1005 1/16W 47K OHM J	
R292	RK3562	1005 1/16W 100K OHMJ	
R293	RK3562	1005 1/16W 100K OHMJ	
R294	RK3562	1005 1/16W 100K OHMJ	
R295	RK3562	1005 1/16W 100K OHMJ	
R297	RK3550	1005 1/16W 10K OHM J	
R298	RK3554	1005 1/16W 22K OHM J	
R299	RK3554	1005 1/16W 22K OHM J	
R300	RK3556	1005 1/16W 33K OHM J	
R301	RK3550	1005 1/16W 10K OHM J	
R302	RK3554	1005 1/16W 22K OHM J	
R303	RK3559	1005 1/16W 56K OHM J	
R304	RK3550	1005 1/16W 10K OHM J	
R305	RK3568	1005 1/16W 330K OHMJ	
R306	RK3536	1005 1/16W 680 OHM J	
R307	RK3562	1005 1/16W 100K OHMJ	
R308	RK3550	1005 1/16W 10K OHM J	
R309	RK3550	1005 1/16W 10K OHM J	
R310	RK3546	1005 1/16W 4.7K OHMJ	
R311	RK3550	1005 1/16W 10K OHM J	
R312	RK3550	1005 1/16W 10K OHM J	
R313	RK3559	1005 1/16W 56K OHM J	
R314	RK3559	1005 1/16W 56K OHM J	
R316	RK3550	1005 1/16W 10K OHM J	
R317	RK3570	1005 1/16W 470K OHMJ	
R318	RK3546	1005 1/16W 4.7K OHMJ	
R319	RK3559	1005 1/16W 56K OHM J	
R320	RK3562	1005 1/16W 100K OHMJ	
R321			
R324	RK3558	1005 1/16W 47K OHM J	
R325	RK3558	1005 1/16W 47K OHM J	
R326	RK3562	1005 1/16W 100K OHMJ	
R327	RK3566	1005 1/16W 220K OHMJ	
R328	RK3559	1005 1/16W 56K OHM J	
R329	RK3556	1005 1/16W 33K OHM J	TFH
R329	RK3557	1005 1/16W 39K OHM J	T, E, EUK
R330	RK3550	1005 1/16W 10K OHM J	TFH
R330	RK3551	1005 1/16W 12K OHM J	T, E, EUK
R331	RK3550	1005 1/16W 10K OHM J	
R333	RK3546	1005 1/16W 4.7K OHMJ	
R334	RK3546	1005 1/16W 4.7K OHMJ	
R335	RK3546	1005 1/16W 4.7K OHMJ	
R336	RK3546	1005 1/16W 4.7K OHMJ	
R337	RK3558	1005 1/16W 47K OHM J	
R338	RK3558	1005 1/16W 47K OHM J	
R339			
R340	RK3552	1005 1/16W 15K OHM J	
R341	RK3562	1005 1/16W 100K OHMJ	
R342	RK3537	1005 1/16W 820 OHM J	
R343	RK3550	1005 1/16W 10K OHM J	

Ref. No.	Parts No.	Parts name	Version
R344	RK3537	1005 1/16W 820 OHM J	
R345	RK3546	1005 1/16W 4.7K OHMJ	
R346	RK3562	1005 1/16W 100K OHMJ	
R347	RK3562	1005 1/16W 100K OHMJ	
R348	RK3562	1005 1/16W 100K OHMJ	
R349	RK3550	1005 1/16W 10K OHM J	
R350	RK3550	1005 1/16W 10K OHM J	
R351	RK3542	1005 1/16W 2.2K OHMJ	
R352	RK3550	1005 1/16W 10K OHM J	
R353	RK3538	1005 1/16W 1.0K OHMJ	
R354	RK3550	1005 1/16W 10K OHM J	
R355	RK3538	1005 1/16W 1.0K OHMJ	
R356	RK3536	1005 1/16W 680 OHM J	
R357	RK3550	1005 1/16W 10K OHM J	
R358	RK3538	1005 1/16W 1.0K OHMJ	
R359	RK3566	1005 1/16W 220K OHMJ	
R360	RK3562	1005 1/16W 100K OHMJ	
R361	RK3554	1005 1/16W 22K OHM J	
R362			
R363			
R363	RK3538	1005 1/16W 1.0K OHMJ	TFH
R363	RK3564	1005 1/16W 150K OHMJ	E, EUK
R365	RK3534	1005 1/16W 470 OHM J	
R366	RK3501	1005 1/16W 0 OHM J	
R367	RK3501	1005 1/16W 0 OHM J	
R368	RK3546	1005 1/16W 4.7K OHMJ	
R369	RK3538	1005 1/16W 1.0K OHMJ	
R370	RK3550	1005 1/16W 10K OHM J	
R371	RK3562	1005 1/16W 100K OHMJ	
R372	RK3560	1005 1/16W 68K OHM J	T, E, EUK
R372	RK3554	1005 1/16W 22K OHM J	TFH
R373	RK3574	1005 1/16W 1.0M OHMJ	
R374	RK3558	1005 1/16W 47K OHM J	
R375	RK3562	1005 1/16W 100K OHMJ	
R376			
R377	RK3558	1005 1/16W 47K OHM J	
R378	RK3558	1005 1/16W 47K OHM J	
SW101	UU0043	EVQPJ705K	
TH101			
W101	MRCL07AA	#30R02-070-02	
W102	MACL07AA	#30A02-070-02	
W103	MACLH2GG	#30AH1-025-H1	T, E
X102	XQ0208	DSX321SC21.250MHZ	
X103	XK0005	CDBC450KCAY24-R0	
X104	XQ0212	SMD-49 8.192MHZ	
	UP0619A	DJ175 INTEGRATED-A	
	AF0003	OPH M2+3 FE/N3	
	AF0030	OPH2+6FE/N1	
	AN0034	M6 NUT BR/B.N	
	AN0042	DIAL NUT	
	AX0009	OPH P2+6 FE/N 1	
	DG0046	LCD LIGHT DJ170	
	DP0195	LCD PANEL	
	ES0027	36-8BB-10B2 ROHS	
	FG0234Y	MIC HOLDER DJ190	
	FG0392	WATERPROOF CAP	
	FG0418	LCD RUB CONE	
	FG0478	KEYBOARD	
	FG0479	PTT RUBBER	
	FG0480	JACK CAP	
	FM0265A	HEAT SINK, DJV17	
	FM0300	ANT GND DJ175	
	FP0310	TERMINAL CASE	
	FP0321	SPACER	
	FP0324	BLIND SHEET DJ175	

Ref. No.	Parts No.	Parts name	
	KZ0219	FRONT CASE ASSYDJ175	
	NK0081	KNOB	
	SD0111A	BATTERY TERMINAL	
	SD0137	TERMINAL	
	SP0013	KNOB SPRING 7800	
	SS0112	CHASSIS	
	ST0089	LCD HOLDER	
	TL0033	REFLECTIVE SHEET	
	TS0188	VCO CASE DJ175	
	UE0571	SMA ANT CONNECTOR	
	UR0027	ROTARY ENCODER	
	YX0045	LCD TAPE	

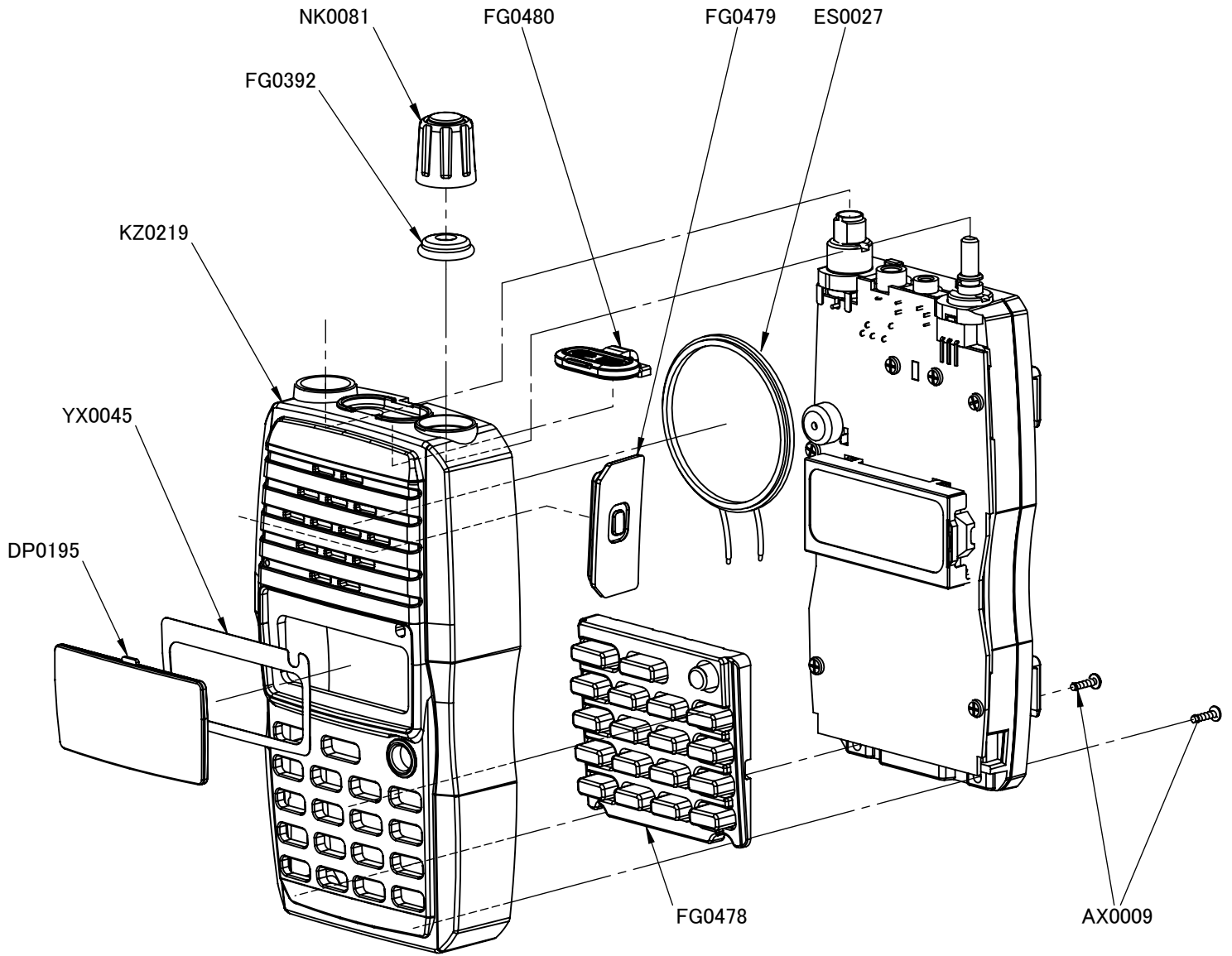
#### CHARGER UNIT (EDC-165)

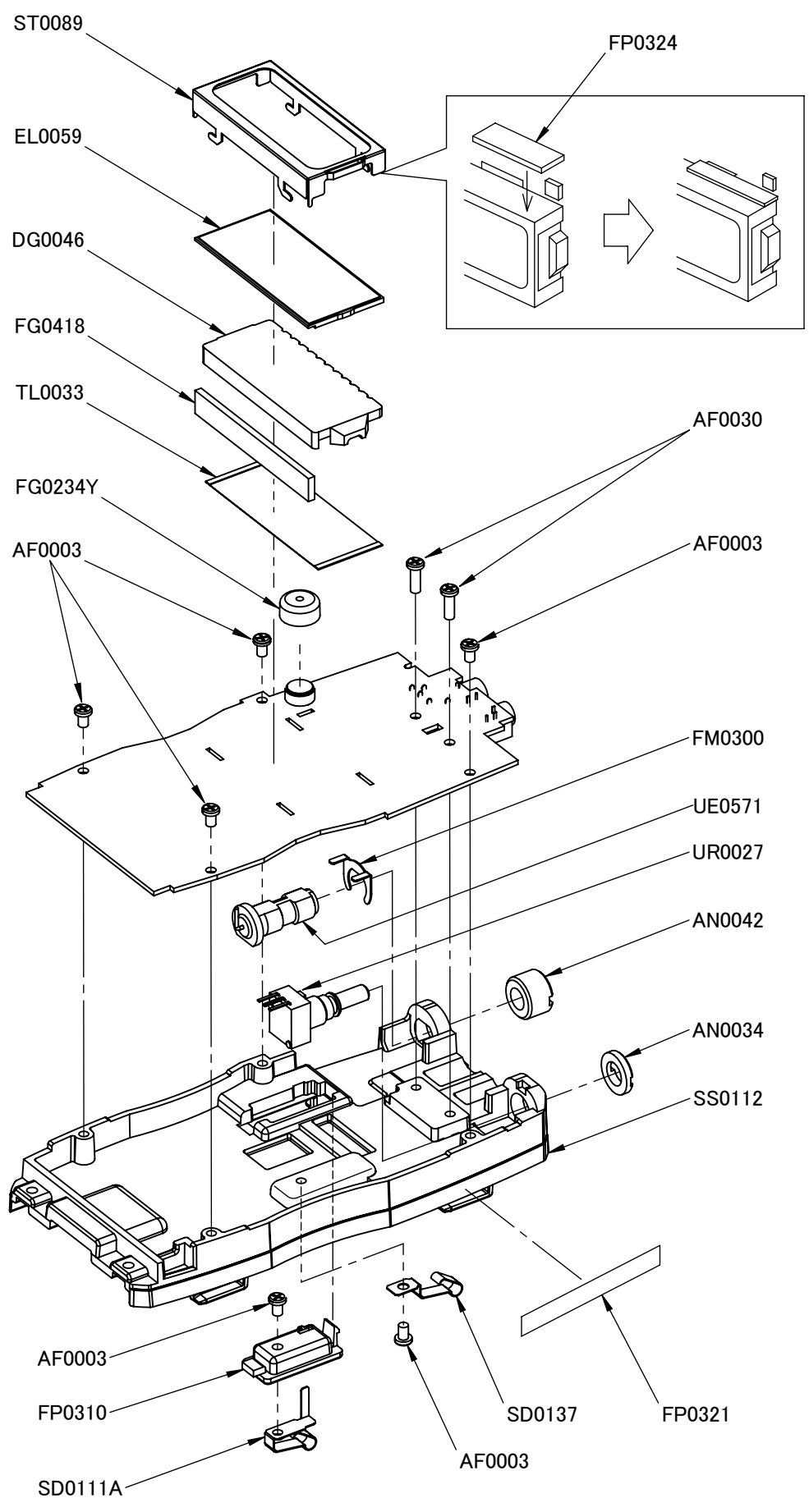
Ref. No.	Parts No.	Parts name	
D101	XL0125	MVR3338S	
JK101	UJ0033	HEC2781-010520	
R101	RF0027	SPR3 56 OHM	
R102	RK3038	1608 1/10W 1.0KOHM J	
R103			
	UP0613	EDC165 INTEGRATED	
	AP0017	PH P2.6+10 FE/B.ZN	
	DD0017	BLIND SHEET	
	KS0103	BOTTOM CASE EDC165	
	KU0162	UPPER CASE EDC164	
	SP0020	CHARGE TERMINAL	
	TT1002	1.0X1MM	

#### ACCESSORIES

	BB0009Y	HAND STRAP DJS41	
	BH0011	BELT CLIP	
	DS0446	NITTO MODEL PLATE(S)	
	EA0141	ANTENNA EA0141	T, E, EUK
	EA0142	ANTENNA EA0142	TFH
	EDC146	AC ADAPTOR 120V	T
	EDC147	AC ADAPTOR 230V	T, E, EUK
	EDC148	AC ADAPTOR 230V UK PLUG	EUK
	EBP072	NI-MH BATTERY PACK	

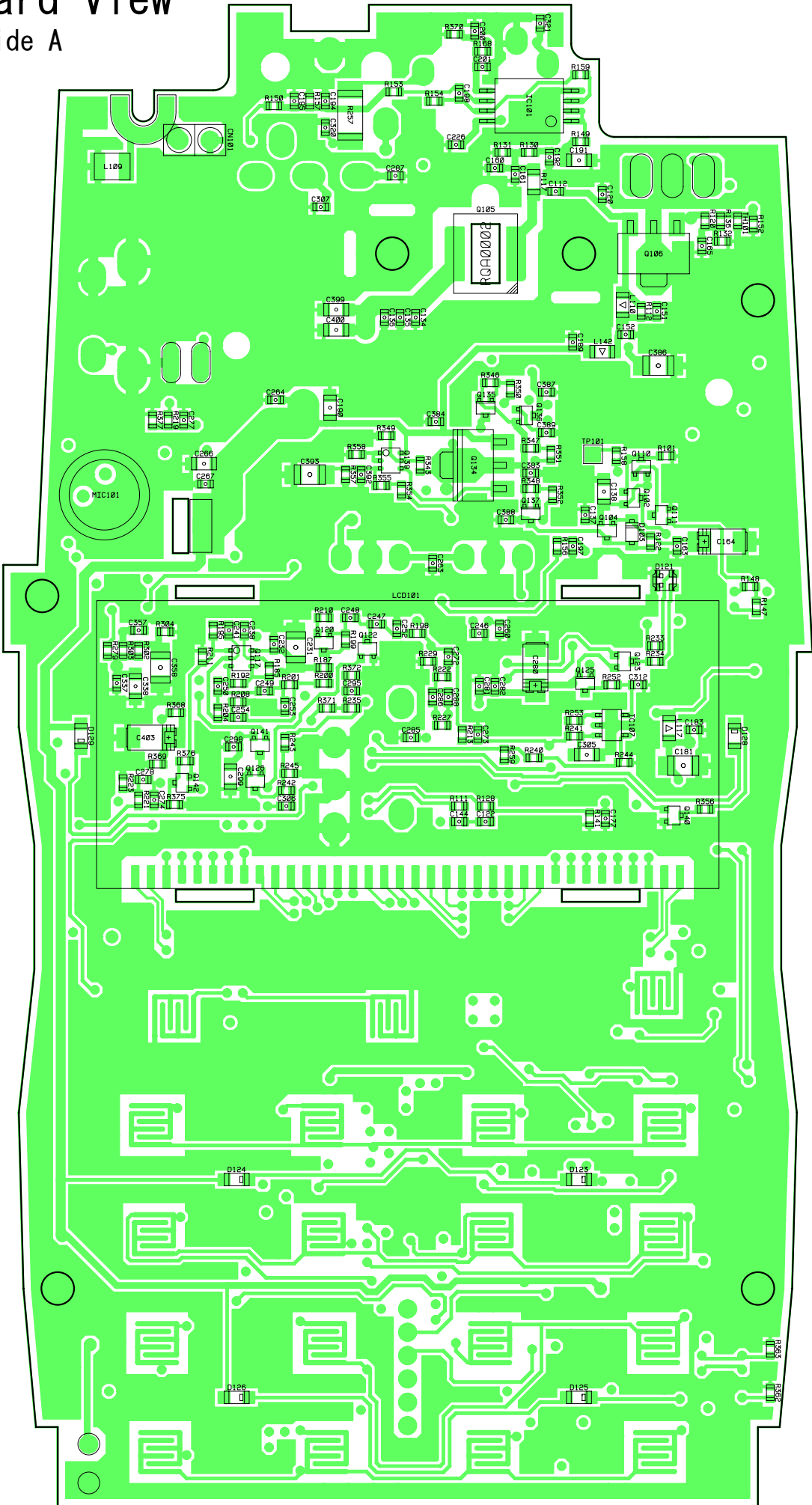
# EXPLODED VIEW





# PC Board View

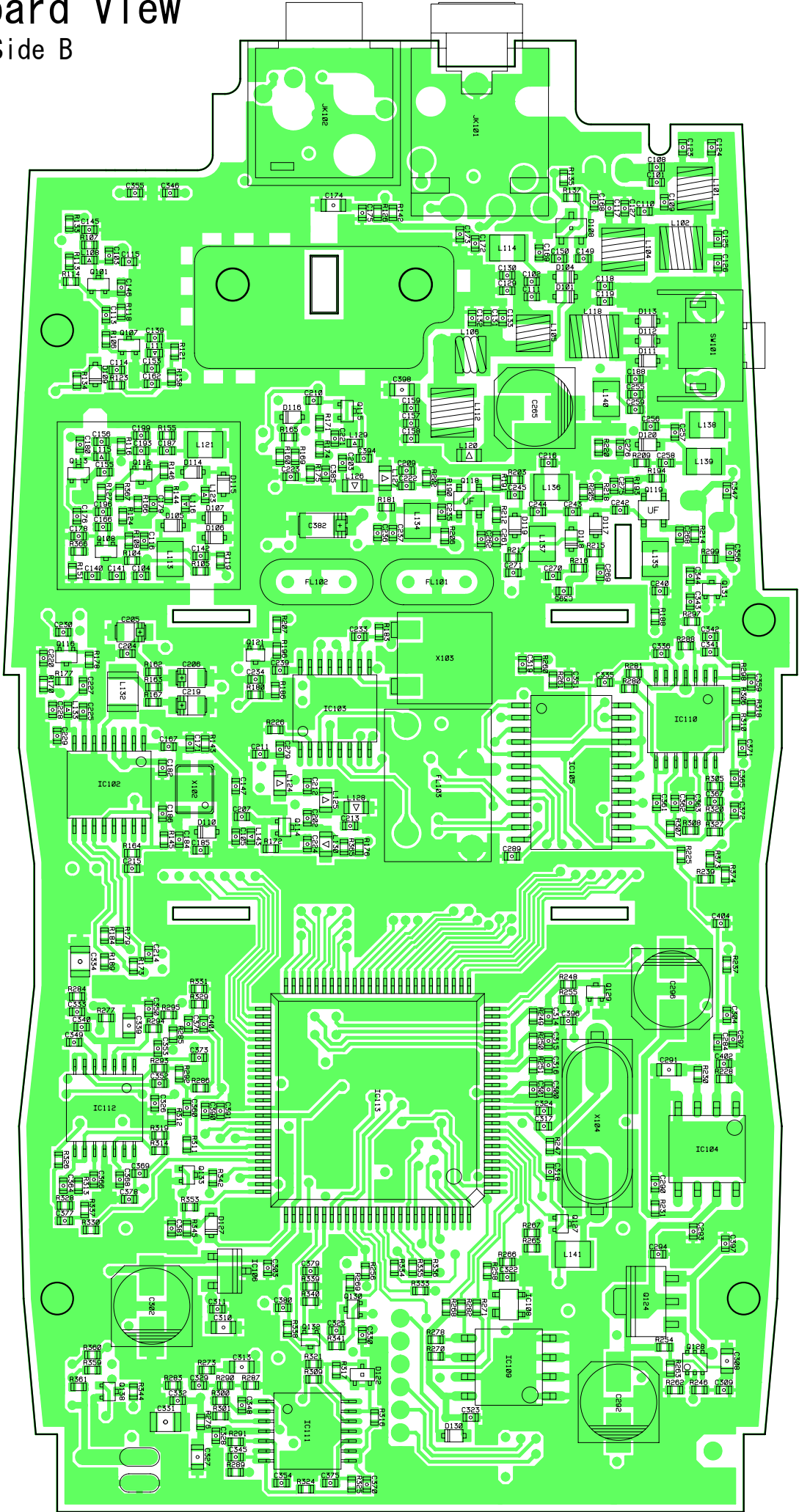
MAIN - Side A





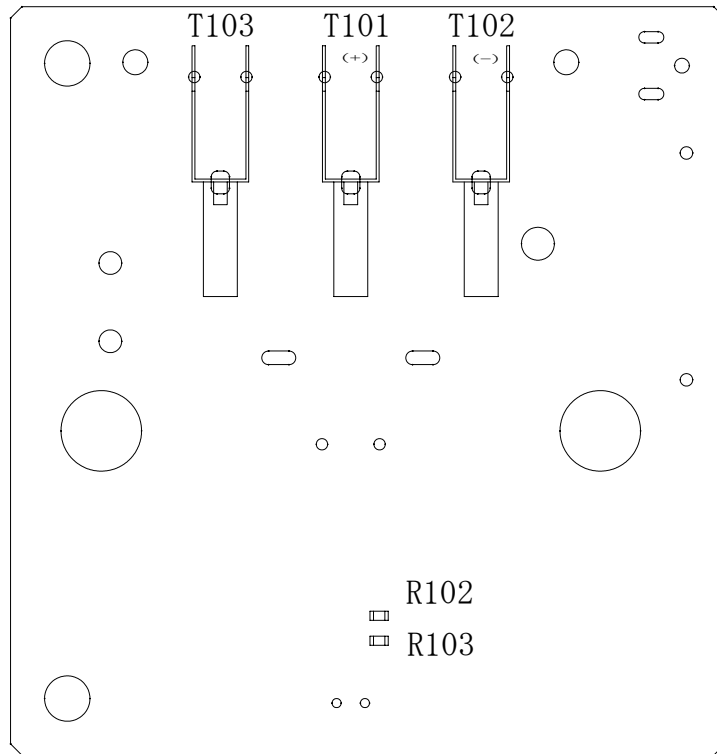
# PC Board View

MAIN - Side B

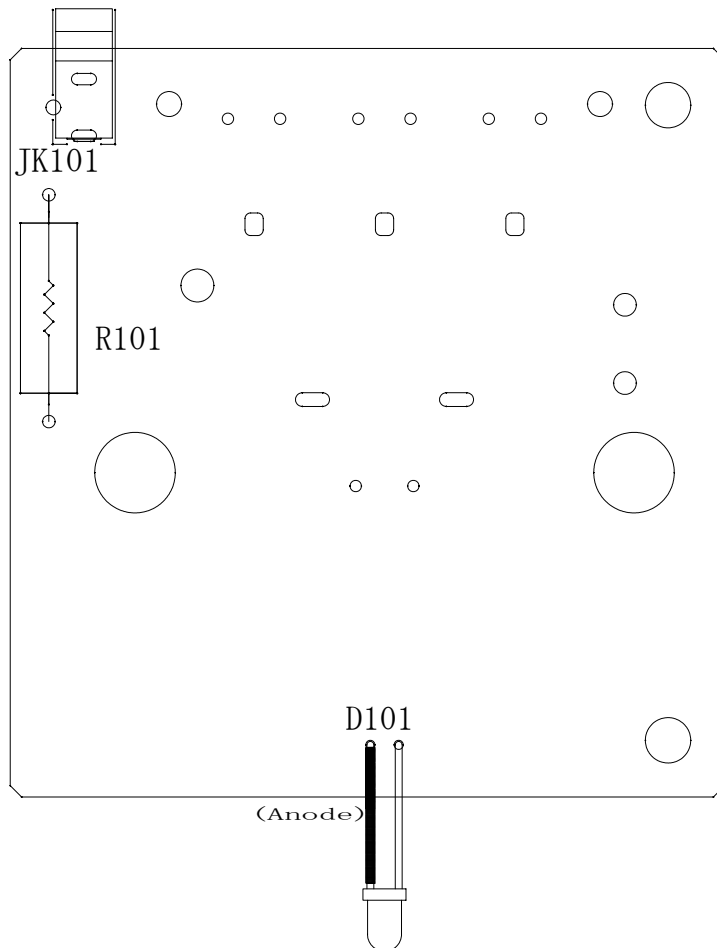


# PC Board View EDC165

Side-A



Side-B



## Adjustments:

### 1) Required Test Equipment

The following items are required to adjust radio parameters

#### 1.Regulated power supply

Supply voltage:	7–8 DC
Current:	3A or more

#### 2.Digital multimeter

Voltage range:	FS = Approx. 20V
Current:	10A or more
Input resistance:	High impedance

#### 3.Oscilloscope

Measurable frequency:	Audio frequency
-----------------------	-----------------

#### 4.Audio dummy load

Impedance:	8 $\Omega$
Dissipation:	1W or more
Jack:	3.5mm $\Phi$

#### 5.SSG

Output frequency:	200MHz or more
Impedance:	50 $\Omega$ , unbalanced
Modulation:	FM

#### 6.Power meter

Measurable frequency:	Up to 200MHz
Impedance:	50 $\Omega$ , unbalanced
Measuring range:	0.1W-10W

#### 7.Audio volmeter

Measurable frequency:	Up to 100kHz
Sensitivity:	1mV to 10V

#### 8.Audio generator

Output frequency:	67Hz to 10kHz
Output impedance:	600 $\Omega$ , unbalanced

#### 9.Distortion meter/SINAD meter

Measurable frequency:	1kHz
Input level:	Up to 40dB
Distortion:	1%-100%

#### 10.Frequency counter

Measurable frequency:	Up to 200MHz
Measurable stability:	Approx. $\pm 0.1$ ppm

11. Linear detector

Measurable frequency:	Up to 200MHz
Characteristics:	Flat
CN:	60dB or more

12. DC Ammeter

Current:	3A or more
----------	------------

Note:

(1). SSG initial setting

Modulation Frequency: 1kHz

Modulation Level: 3.0kHz (T, E, TFH)/ 1.5kHz (EUK)

(2). Reference sensitivity: 12dB SINAD

(3). Specified audio output level: 500mW at 8Ω

(4). Standard audio output level: 50mW at 8Ω

(5). Use an RF cable ( 3D2W:1M ) for test equipment.

(6). Attach a fuse to the RF test equipment.

(7). All SSG outputs are indicated by EMF

(8). Supply voltage for the transceiver: 7.2VDC

## 2) Adjustment mode

The adjustment should be operated in the Adjustment mode. Therefore except for the reference frequency, deviation and tone-deviation adjustments an operator won't touch the components on the board, but most of the adjustments should be done by operating the dial and keys on the unit. During such operation, memory channels are used temporary therefore it is required to program memories before the unit is set to the adjustment mod. Please refer the chart below for the programming channels. The frequencies may be varied within the range of  $\pm 0.2\text{Mhz}$  depending on the RF environment around your work area, and refer the instruction manual for how to program the memories into the memory-channels.

To enter the adjustment mode, press "F" then "KL" to key-lock the unit. Then press the numeric keys in order of "4", "9", "0", "2", "1" and "7". Observe that decimal points appear on the display below 100MHz and 10MHz digits. To exit from the adjustment mode, repeat the whole sequence (key-lock then enter the code in order). NEVER RESET THE UNIT WHILE OPERATING IN THE SET MODE. This may reset whole adjustment values resulting the malfunction of the unit in the operating mode. The chart below shows the adjustment points and interface between the unit and instruments. Please use an attenuator in case the specifications of the linear-detector and frequency counter may exceed the requirement herein.

\* Simply memory the frequencies only into the relative memory channels.

Channel I	Adjustment menu	Frequency	
		T, E, EUK	TFH
1	Frequency Adjustment	145.000	162.000
2	TX-output / High power	145.000	162.000
3	TX-output / Mid power	145.000	162.000
4	TX-output / Low power	145.000	162.000
5	Microphone deviation	145.000	162.000
6	CTCSS tone deviation	145.000	162.000
7	DCS deviation	145.000	162.000
11	Sensitivity adjustment (lower edge)	137.000	137.000
12	Sensitivity adjustment (center range)	150.000	150.000
13	Sensitivity adjustment (upper range)	173.000	173.000
14	Squelch adjustment (minimum)	145.000	162.000
15	Squelch adjustment (maximum)	145.000	162.000
16	S-meter adjustment (1)	145.000	162.000
17	S-meter adjustment (Full)	145.000	162.000

1. Frequency adjustment

Select memory ch.1.

Press PTT on the unit to transmit and measure the TX frequency. One of digits 00-FF should appear on the display where memory channel number was shown. Rotate the dial on the unit to adjust the frequency to bring the value to the range specified below.

**Specification value :  $\pm 50\text{Hz}$**

Necessary instrument: (1). Frequency counter

2. TX output – High power

Select memory ch.2.

Press PTT on the unit to transmit. One of digits 00-FF should appear on the display where memory channel number was shown. Rotate the dial on the unit to adjust the TX power to meet the specification. Release the PTT to finish the adjustment. Be sure to check the consuming current value after the adjustment is completed.

**Specification:**

**TX-output power/High: 5.0 watts**

**Current consumption / 1.6A or less**

Necessary instrument: (1). DC Ammeter

(2). Power meter

3. TX output – Middle power

Select memory ch.3.

Press PTT on the unit to transmit. One of digits 00-FF should appear on the display where memory channel number was shown. Rotate the dial on the unit to adjust the TX power to meet the specification. Release the PTT to finish the adjustment.

**Specification: 2.0 watts**

Necessary instrument: (1). Power meter

4. TX output – Low power

Select memory ch.4.

Press PTT on the unit to transmit. One of digits 0-F should appear on the display where memory channel number was shown. Rotate the dial on the unit to adjust the TX power to meet the specification. Release the PTT to finish the adjustment.

**Specification: 0.5 watts**

Necessary instrument: (1). Power meter

## 5. Microphone deviation

Select memory ch.5.

Input the signal as specified below from an Audio generator and transmit. Measure the deviation value using a Liner-detector. Press PTT on the unit to transmit. One of digits 00-FF should appear on the display where memory channel number was shown. Rotate the dial on the unit to adjust the deviation to meet the specification. Release the PTT to finish the adjustment.

**Specification :  $4.3 \pm 0.1\text{kHz}$  (T, E, TFH)**

**$2.2 \pm 0.1\text{kHz}$  (EUK)**

Measuring condition:(1). Audio generator setting

Frequency: 1kHz

Output Level:50mV

Necessary instrument:(1). Audio generator

(2). Linear detector

## 6. CTCSS tone 88.5Hz deviation and adjustment of the sign-wave

Select memory ch.6.

Press PTT to automatically transmit 88.5Hz tone. Measure the deviation value using a Liner-detector. Press PTT on the unit to transmit. One of digits 00-FF should appear on the display where memory channel number was shown. Rotate the dial on the unit to adjust the tone deviation to meet the specification below. Use an oscilloscope to monitor the sign-wave then correct the wave shape (see the chart 1 below).

**Specification:  $0.80 \pm 0.05\text{KHz}$  (T, E)**

**$0.90 \pm 0.05\text{KHz}$  (TFH)**

**$0.50 \pm 0.05\text{KHz}$  (EUK)**

Necessary instrument:(1). Linear detector

(2). Oscilloscope

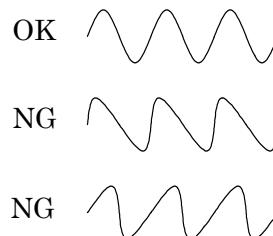


Chart 1: sign-wave correction

## 7. DCS 255 deviation

Select memory ch.7.

Press PTT to automatically transmit DCS code of 255. Measure the deviation value using a Liner-detector. Press PTT on the unit to transmit. One of digits 00-FF should appear on the display where memory channel number was shown. Rotate the dial on the unit to adjust the tone deviation to meet the specification below.

**Specification:  $0.80 \pm 0.05\text{KHz}$  (T, E, TFH)**

**$0.50 \pm 0.05\text{KHz}$  (EUK)**

Necessary instrument:(1). Linear detector

## 8. Receiver sensitivity adjustment

Preparation: Set the speaker audio output level to 50mW.

Operation: There are three points to be adjusted, the lower, central, and upper edges of the receiver's covering range. Set the memory channels accordingly. Input an RF signal from the SSG to the antenna connector then measure output signal at the speaker jack using a SINAD meter. Press "F"(FUNC) key on the unit. One of digits 00-FF should appear on the display where memory channel number was shown. Rotate the dial on the unit to bring the SINAD value to 12dB or better.

### a. Lower edge

Condition:(1). Memory Channel: 11

(2). SSG setting

Frequency: 137.000MHz

RF Output Level: -7.0dB $\mu$

Modulation Frequency:1kHz

Modulation Level:3.0kHz (T, E, TFH)/ 1.5KHz (EUK)

### b. Center range

Condition:(1). Memory Channel: 12

(2). SSG setting

Frequency: 150.000MHz

RF Output Level: -8.0dB $\mu$

Modulation Frequency:1kHz

Modulation Level:3.0kHz (T, E, TFH)/ 1.5KHz (EUK)

### a. Upper edge

Condition:(1). Memory Channel: 13

(2). SSG setting

Frequency: 173.000MHz

RF Output Level: -8.0dB $\mu$

Modulation Frequency:1kHz

Modulation Level:3.0kHz (T, E, TFH)/ 1.5KHz (EUK)

Necessary instruments:(1). Audio volmeter

(2). SSG

(3). SINAD Meter

(4). Audio dummy load

Note:

Press "FUNC" key or leave the unit for 5 seconds to enter the new values and go to the next adjustment procedure. Memory number should appear on the display when the unit exits the sensitivity adjustment.



## 9. Squelch adjustments:

Select the memory channel number accordingly to adjust the level Min and Max.

Input an RF signal to the antenna connector from SSG then press FUNC key on the unit.

A beep (“pip”) sounds and completes the adjustment.

### a. Squelch level (Min.)

Condition:(1). Memory Channel:14

#### (2). SSG setting

Frequency: 145.000MHz (T, E, EUK)/ 162.000MHz (TFH)

RF Output Level: -11dB  $\mu$

Modulation Frequency:1kHz

Modulation Level:3.0kHz (T, E, TFH)/ 1.5KHz (EUK)

### b. Squelch level (Max.)

Condition:(1). Memory Channel: 15

#### (2). SSG setting

Frequency: 145.000MHz (T, E, EUK)/ 162.000MHz (TFH)

RF Output Level:0dB  $\mu$

Modulation Frequency:1kHz

Modulation Level:3.0kHz (T, E, TFH)/ 1.5KHz (EUK)

Necessary instrument:(1). SSG

## 10. S-meter adjustments

Select the memory channel number accordingly to adjust the S-meter level 1 and full.

Input an RF signal to the antenna connector from SSG then press FUNC key on the unit.

A beep (“pip”) sounds and completes the adjustment.

### a. S-meter level 1

Condition:(1). Memory Channel: 16

#### (2). SSG setting

Frequency: 145.000MHz (T, E, EUK)/ 162.000MHz (TFH)

RF Output Level:-5dB  $\mu$

Modulation Frequency:1kHz

Modulation Level:3.0kHz (T, E, TFH)/ 1.5KHz (EUK)

### b. S-meter level Full

Condition:(1). Memory Channel: 17

#### (2). SSG setting

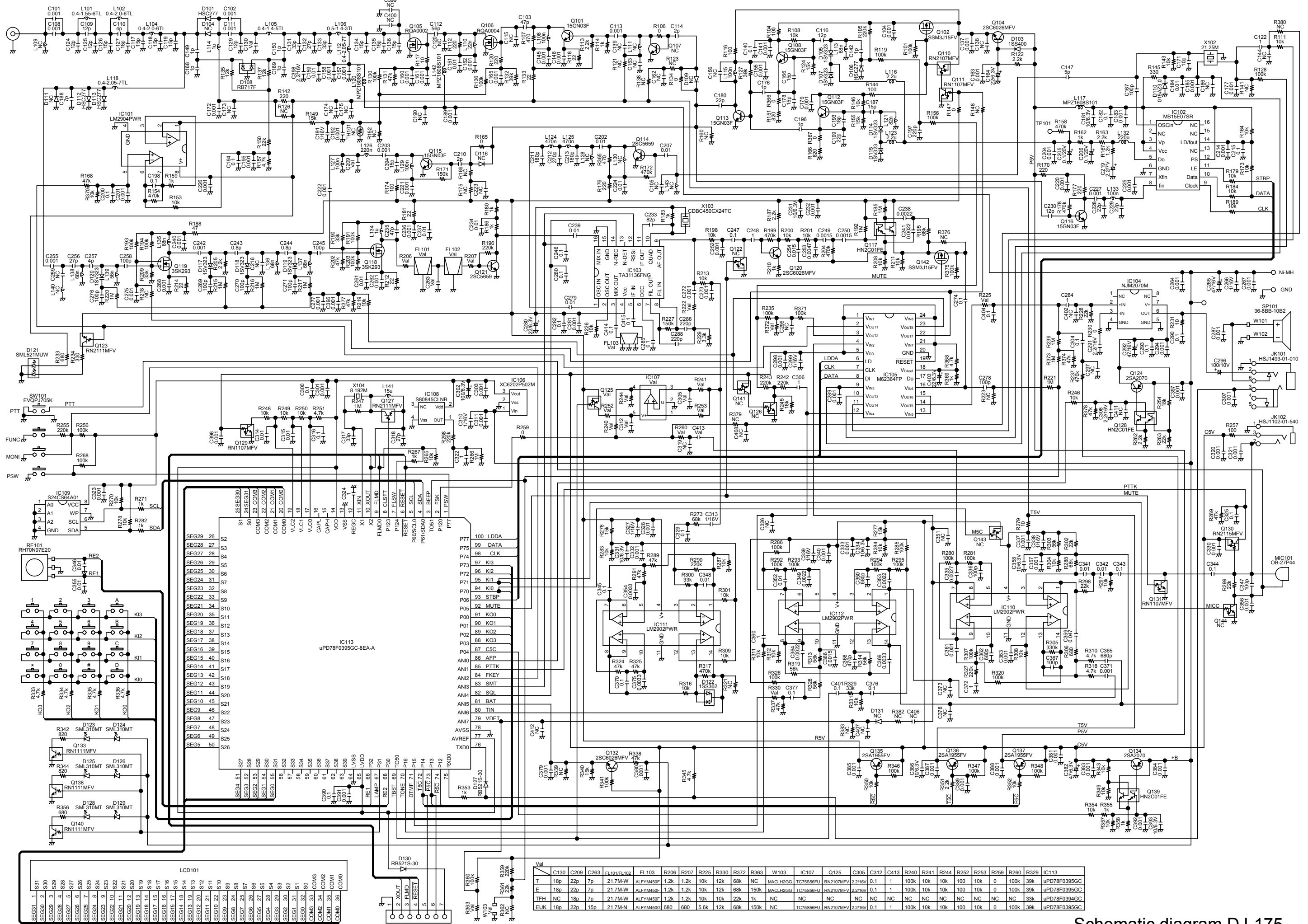
Frequency: 145.000MHz (T, E, EUK)/ 162.000MHz (TFH)

RF Output Level:15dB  $\mu$

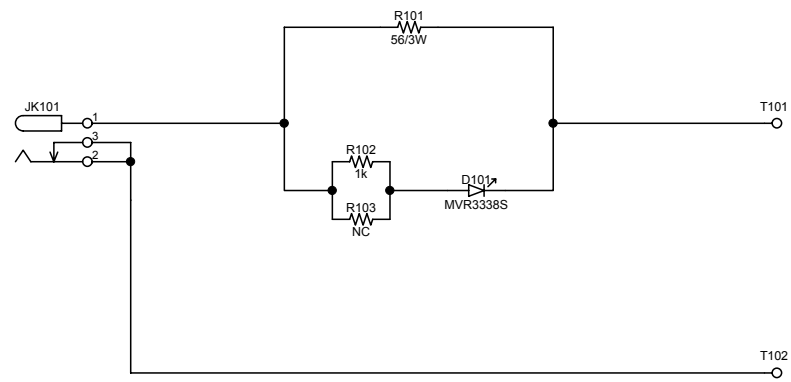
Modulation Frequency:1kHz

Modulation Level:3.0kHz (T, E, TFH)/ 1.5KHz (EUK)

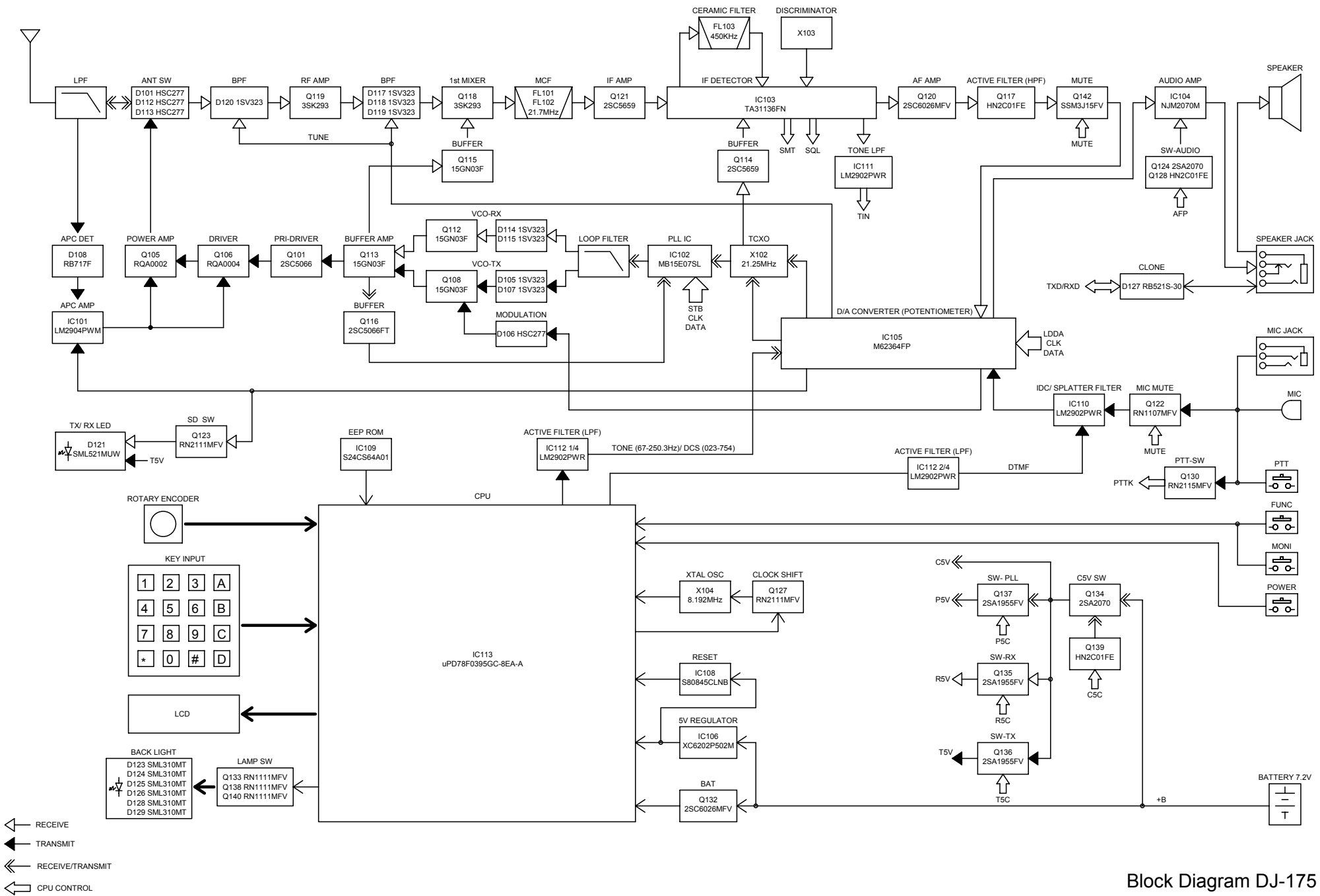
Necessary instrument:(1). SSG



Schematic diagram DJ-175



Schematic Diagram EDC-165



Block Diagram DJ-175